

# SHALCO

## BREAKER CONTROL TIME DELAY RELAY FOR **ARC FLASH PROTECTION**

The Shallco CSR is now available with a time delay feature. The Delay Closing or Tripping operation allows personnel the needed time to vacate any potential arc flash boundary.

With a simple press and hold of a front panel button, the relay will change the normal operating mode to time delay (which can be halted and returned to normal state with a subsequent pressing of the delay function button)

The lighted front panel LED's also provides various circuit monitoring along with the Trip Coil Monitor with SCADA output.



### Features:

- ◆ Microprocessor Controlled.
- ◆ Local Trip or Close with 10 Second Delay (Factory Adjustable) via Push Button.
- ◆ Flashing LED to Indicate Pending Operation.
- ◆ Standard Mechanical Trip/Close Flag
- ◆ Extended Button Press Time (4 - 5 Seconds) Prevents Accidental Operation.
- ◆ Traditional Manual Trip and Close via Pistol Grip.
- ◆ Provides Safe On-Site Breaker Operation While Keeping Personnel Outside The "Arc Flash Boundary".
- ◆ Standard CSR, LOR, and LSR mounting pattern.
- ◆ Simple wiring instructions.
- ◆ Includes Features of the Standard CSR.
- ◆ Arc Flash Hazard Protection at a reasonable price



Official Partner



**Power Source Instruments Inc.**

395 Westney Road South, Ajax ON CANADA L1S 6M6  
sales@powersourceinstruments.com  
[powersourceinstruments.com](http://powersourceinstruments.com)

**Specifications:**

**Electrical**

Continuous Ratings: 30 amperes

UL Interrupt Ratings:           25A - 120VAC  
   15A - 240VAC  
   6A - 600VAC  
   3A - 125VDC  
   1A - 250VDC

Overload Current (50 Ops):    95A - 120VAC  
   65A - 240VAC  
   35A - 600VAC

Contact Resistance: 10 milliohms max.

Contact hold time: .5 – 1 second

**Mechanical**

Switching:                        Break-Before-Make (Non-Shorting)  
   Make-Before-Break (Shorting)  
   (Standard and Slip Contacts Available)

Rotor Contact:                Phosphor Bronze, Dual Wiper

Stationary Contact:           Silver Plated copper with integral screw

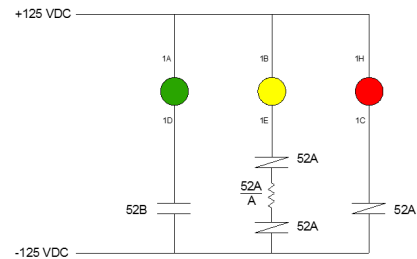
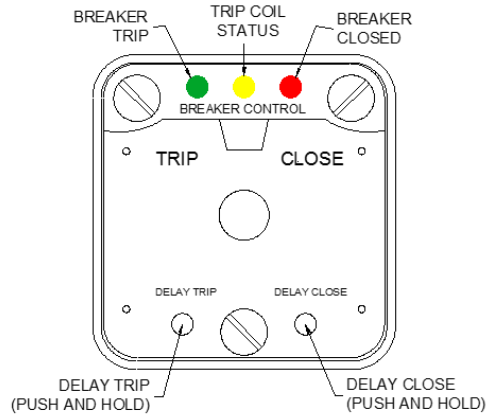
Construction:                 Closed

Angle of Throw:               Spring Return (45 degree CW and CCW)

**Operational Voltage/Current:**

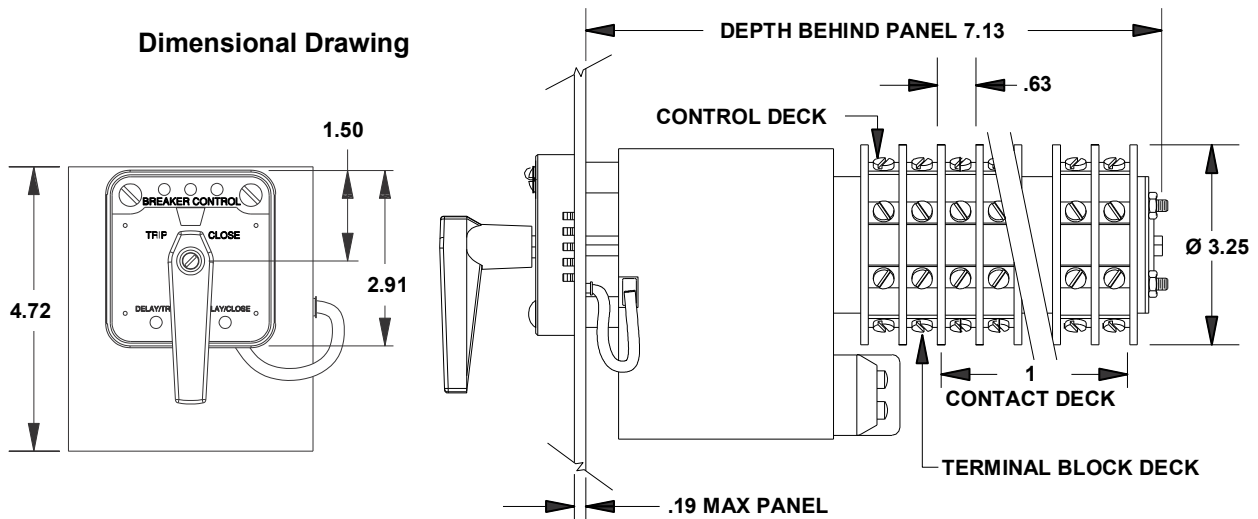
125 VDC/6 .5 amps

LIGHTED PANEL  
(STANDARD CONFIGURATION)



- LEFT LED    In a typical application, it is used to monitor a 52B contact
- RIGHT LED   In a typical Application, it is used to monitor a 52A contact.
- CENTER LED   In a typical application, it is used as a trip coil monitor.

**Dimensional Drawing**



Rev.: 10/19

Official Partner



**Power Source Instruments Inc.**

395 Westney Road South, Ajax ON CANADA L1S 6M6  
 sales@powersourceinstruments.com  
[powersourceinstruments.com](http://powersourceinstruments.com)