

# TDR - Breaker Control Switch Relay with Time Delay

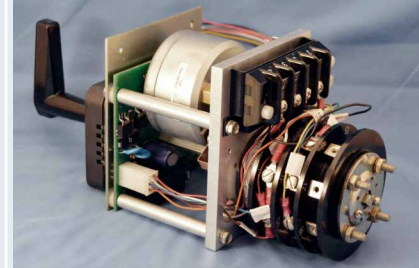
## RELIABLE AND COST-EFFECTIVE ARC FLASH PROTECTION FOR NEW OR REPLACEMENT APPLICATIONS

The Shallco CSR is available with Time Delay where the delay closing or tripping operation allows personnel the needed time to vacate any potential arc flash boundary.

With the simple press-and-hold front panel delay buttons, the relay will change the normal operating mode to time delay expanding the safety and functionality of the standard CSR.

### KEY FEATURES

- Centre LED for Trip Coil Monitor circuit with SCADA output
- Microprocessor-controlled signalling board
- Local Trip or Close with 10 second delay (up to 2 minutes) with optional added 4-5 sec. extended time
- Simple push button operation
- Standard CSR, LOR and LSR mounting
- No special wiring required for installation
- 48 VDC and 125 VDC operation



### More Series 26 Switches



**LOR**  
Lock-Out  
Relays



**LSR**  
Latching Switch  
Relays



**30A** Detented Rotary  
Power Switches

## TDR - Time Delay Breaker Control Switch Relay

### ELECTRICAL SPECIFICATIONS

Continuous Ratings . . . . . 30A

UL Interrupt Ratings . . . . . 25A - 120VAC  
 15A - 240VAC  
 6A - 600VAC  
 3A - 125VDC  
 1A - 250VDC

Overload Current (50 Ops): 95A - 120VAC  
 65A - 240VAC  
 35A - 600VAC

Contact Resistance . . . . . 10 mΩ maximum

Contact Hold Time . . . . . 0.5 - 1 second

### MECHANICAL SPECIFICATIONS

Switching . . . . . Break-Before-Make (non-shorting)  
 Make-Before-Break (shorting)  
 (standard and slip contacts available)

Rotor Contact . . . . . Phosphor bronze, dual wiper

Stationary Contact . . . . . Silver-plated copper / integral screws

Construction . . . . . Closed

Angle of Throw . . . . . 45° spring return (CW and CCW)

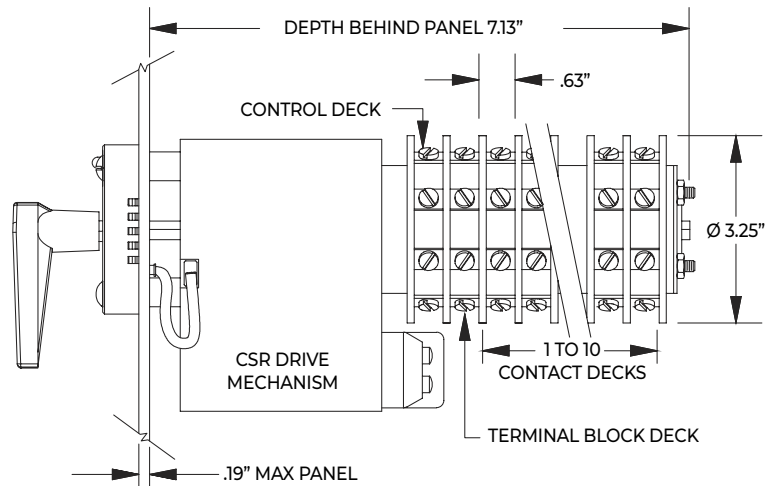
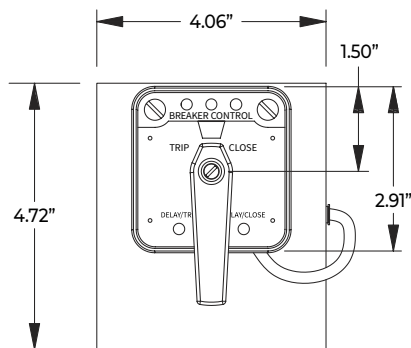
### OPERATIONAL VOLTAGE/CURRENT

125VDC / 6.5A

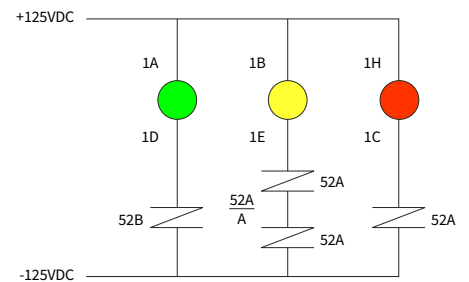
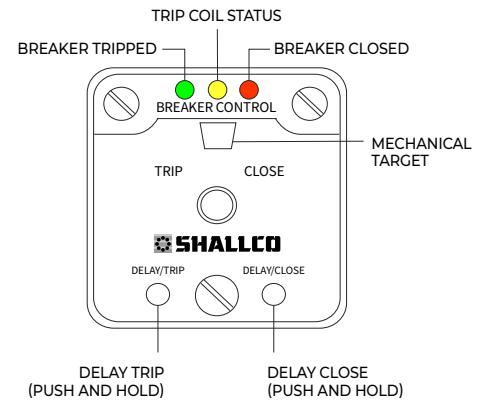
### REQUIRED ORDERING INFORMATION

- Custom Trip/Close Hold Time (10 second standard)
- Multiple Contact Deck Configuration
- Custom Nameplate Engraving

*\*Contact us for Electroswitch to Shallco Crossover Part Numbers and custom options*



### LIGHTED PANEL (STANDARD)



### TYPICAL BREAKER INPUT CONNECTIONS

- Left LED: Used to monitor a 52B contact
- Centre LED: Used as a trip coil monitor
- Right LED: Used to monitor a 52A contact