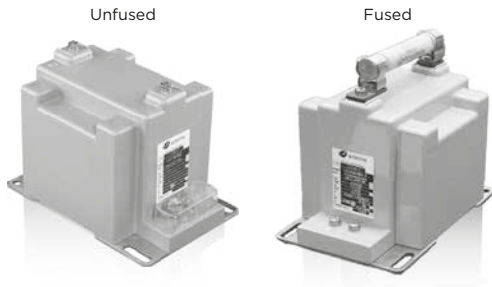


5 kV – 34.5 kV
INDOOR
INSTRUMENT
TRANSFORMERS

UCE-7

5 kV VOLTAGE TRANSFORMER



INDOOR
60 Hertz

ARTECHE UC/UX/VC series are dry type indoor service voltage transformers. The core is encapsulated with Type B epoxy resin which provides excellent internal dielectric properties and mechanical strength, ensuring a long mechanical and electrical life. The transformer is maintenance free.

The core is built with high permeability grain oriented silicon steel laminations for low losses. The windings are copper wire with copper plate double isolation. The concentric distribution of the coils prevents magnetic flux leakage, achieving greater accuracy and higher capacity to withstand mechanical stresses in adverse operating conditions.

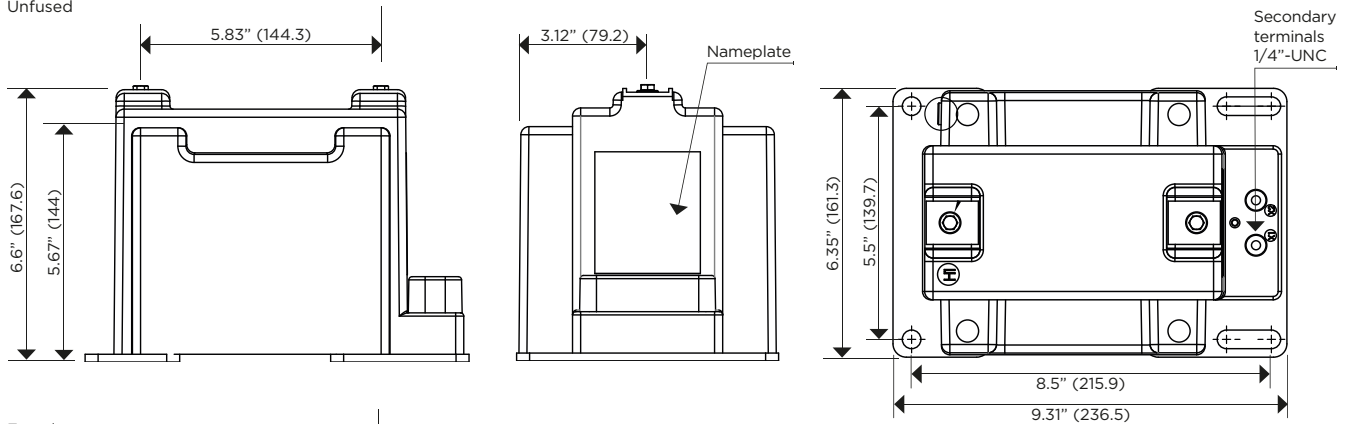
Partial Discharge measurements exceed the IEEE, CAN/CSA and IEC requirements.



Mechanical characteristics

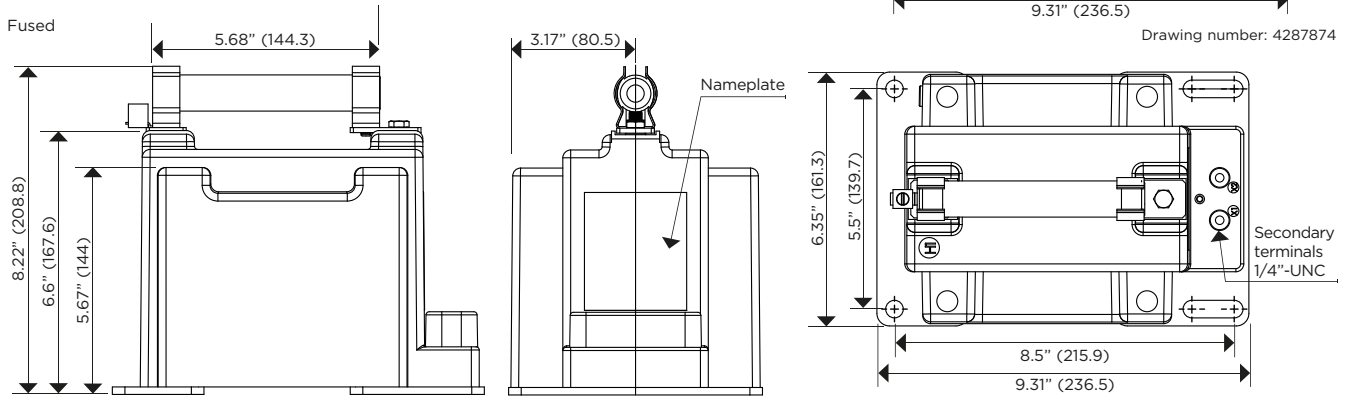
Insulation Material	Colors	Weight (lbs.)
Resin	Gray	32

Unfused

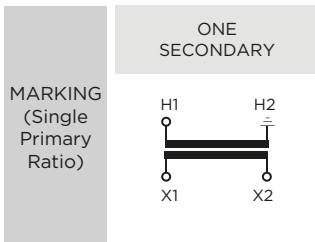


Drawing number: 4287874

Fused



Drawing number: 4286786



Approximate dimensions in inches (mm).

UCE-7

5 kV VOLTAGE TRANSFORMER

Electrical characteristics

Code	Ratio	Primary (V)	Secondary (V)	IEEE Metering Accuracy	Continuous Rated Voltage Factor (Un)	Rated Voltage Factor 30 s (Un)	Thermal Burden (VA)	Nominal Voltage System (kV)	BIL (kV)	Power-Frequency Withstand Voltage (1 min)	
										Primary & Secondary (kV _{rms})	Secondary Winding (kV _{rms})
Switchgear style (no fuse)											
753060020	20:1	2400/4160GY	120	0.3 W,X,M,Y/1.2Z	1.1	1.25	750	5	60	19	2.5
753060035	35:1	4200/4200GY	120	0.3 W,X,M,Y/1.2Z	1.1	1.25	750	5	60	19	2.5
753060040	40:1	4800/4800GY	120	0.3 W,X,M,Y/1.2Z	1.1	1.25	750	5	60	19	2.5
Fuse clips only (no fuse)											
753061020	20:1	2400/4160GY	120	0.3 W,X,M,Y/1.2Z	1.1	1.25	750	5	60	19	2.5
753061035	35:1	4200/4200GY	120	0.3 W,X,M,Y/1.2Z	1.1	1.25	750	5	60	19	2.5
753061040	40:1	4800/4800GY	120	0.3 W,X,M,Y/1.2Z	1.1	1.25	750	5	60	19	2.5
Fuse clips and fuse											
753062020	20:1	2400/4160GY	120	0.3 W,X,M,Y/1.2Z	1.1	1.25	750	5	60	19	2.5
753062035	35:1	4200/4200GY	120	0.3 W,X,M,Y/1.2Z	1.1	1.25	750	5	60	19	2.5
753062040	40:1	4800/4800GY	120	0.3 W,X,M,Y/1.2Z	1.1	1.25	750	5	60	19	2.5

All units can be supplied either switchgear style, fuse clips only or fuses and clips. Please contact your commercial representant for further information. Additional ratings available upon request.

Notes:

.....

.....

.....

.....

.....

.....

.....

.....

.....

.....

.....

.....

.....

.....

.....

.....

.....

.....

.....

.....

.....

.....

.....

.....

.....

VCE-7

5 kV VOLTAGE TRANSFORMER

Unfused

Fused

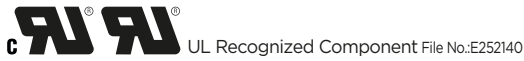


INDOOR
60 Hertz

ARTECHE UC/UX/VC series are dry type indoor service voltage transformers. The core is encapsulated with Type B epoxy resin which provides excellent internal dielectric properties and mechanical strength, ensuring a long mechanical and electrical life. The transformer is maintenance free.

The core is built with high permeability grain oriented silicon steel laminations for low losses. The windings are copper wire with copper plate double isolation. The concentric distribution of the coils prevents magnetic flux leakage, achieving greater accuracy and higher capacity to withstand mechanical stresses in adverse operating conditions.

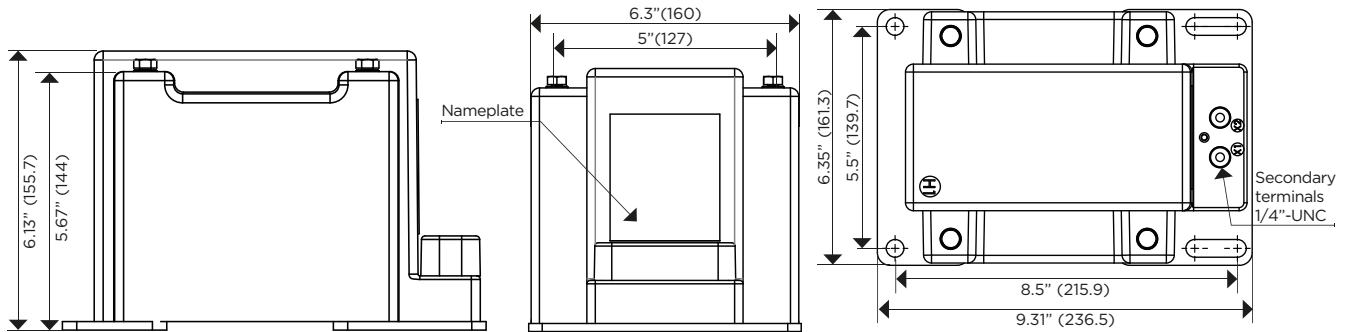
Partial Discharge measurements exceed the IEEE, CAN/CSA and IEC requirements.



Mechanical characteristics

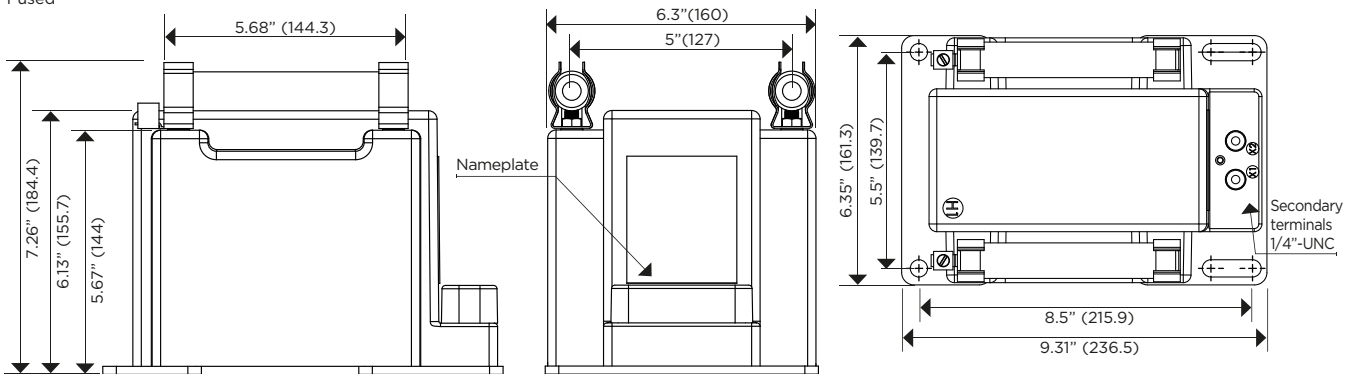
Insulation Material	Colors	Weight (lbs.)
Resin	Gray	32

Unfused



Drawing number: 428786

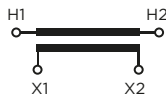
Fused



Drawing number: 4286786

ONE
SECONDARY

MARKING
(Single
Primary
Ratio)



Approximate dimensions in inches (mm).

UXI-12

8.7 kV VOLTAGE TRANSFORMER

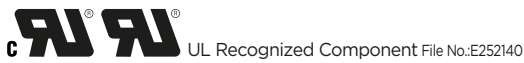


**INDOOR
60 Hertz**

ARTECHE UC/UX/VC series are dry type indoor service voltage transformers. The core is encapsulated with Type B epoxy resin which provides excellent internal dielectric properties and mechanical strength, ensuring a long mechanical and electrical life. The transformer is maintenance free.

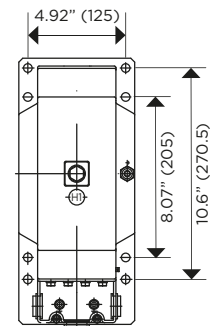
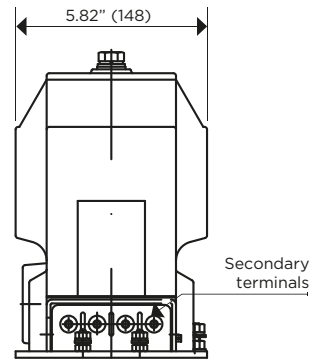
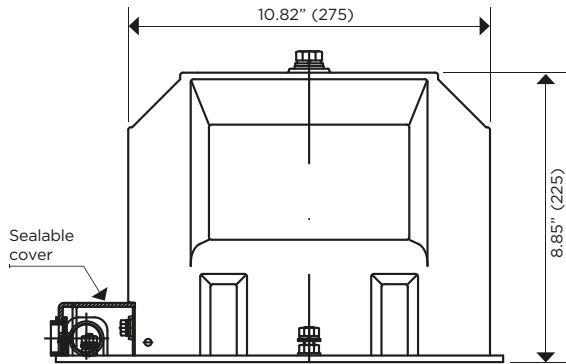
The core is built with high permeability grain oriented silicon steel laminations for low losses. The windings are copper wire with copper plate double isolation. The concentric distribution of the coils prevents magnetic flux leakage, achieving greater accuracy and higher capacity to withstand mechanical stresses in adverse operating conditions.

Partial Discharge measurements exceed the IEEE, CAN/CSA and IEC requirements.

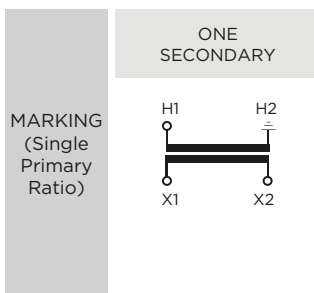


Mechanical characteristics

Insulation Material	Colors	Weight (lbs.)
Resin	Gray	60



Drawing number: 4286155



Approximate dimensions in inches (mm).

UCE-17

15 kV VOLTAGE TRANSFORMER

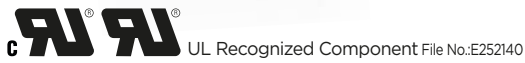


**INDOOR
60 Hertz**

ARTECHE UC/UX/VC series are dry type indoor service voltage transformers. The core is encapsulated with Type B epoxy resin which provides excellent internal dielectric properties and mechanical strength, ensuring a long mechanical and electrical life. The transformer is maintenance free.

The core is built with high permeability grain oriented silicon steel laminations for low losses. The windings are copper wire with copper plate double isolation. The concentric distribution of the coils prevents magnetic flux leakage, achieving greater accuracy and higher capacity to withstand mechanical stresses in adverse operating conditions.

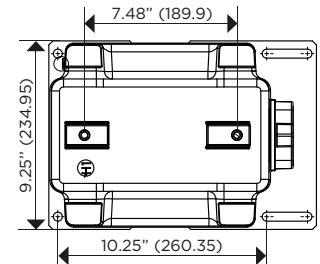
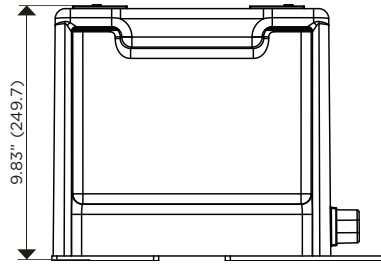
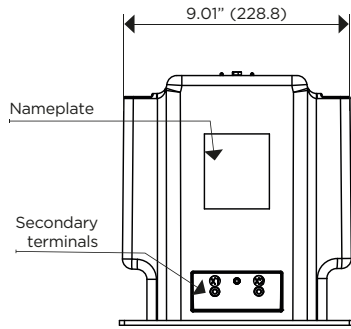
Partial Discharge measurements exceed the IEEE, CAN/CSA and IEC requirements.



Mechanical characteristics

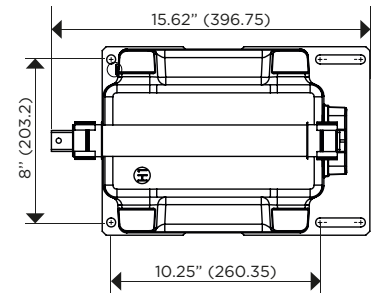
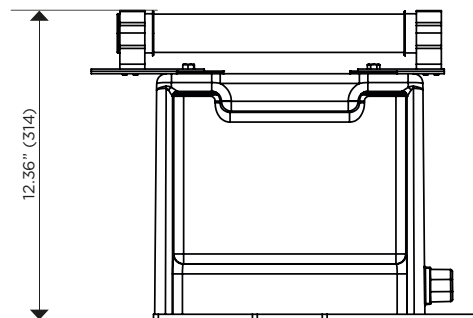
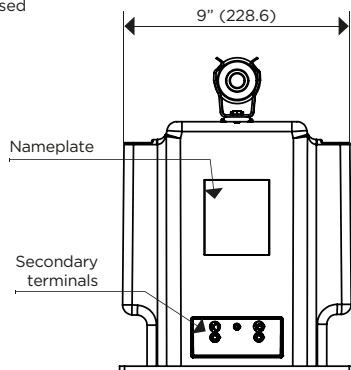
Insulation Material	Colors	Weight (lbs.)
Resin	Gray	85

Unfused

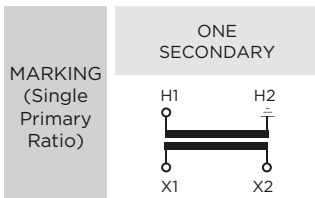


Drawing number: 4287875

Fused



Drawing number: 4286373



Approximate dimensions in inches (mm).

UCI-17

15 kV VOLTAGE TRANSFORMER

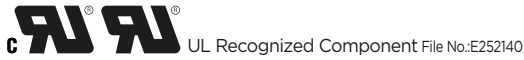


**INDOOR
60 Hertz**

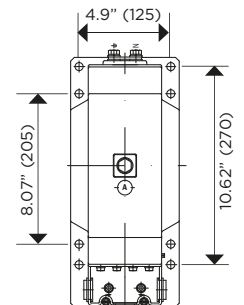
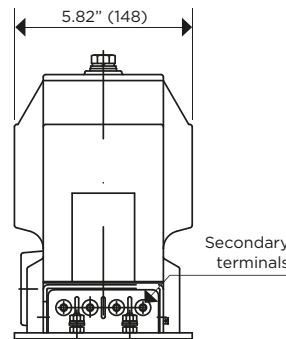
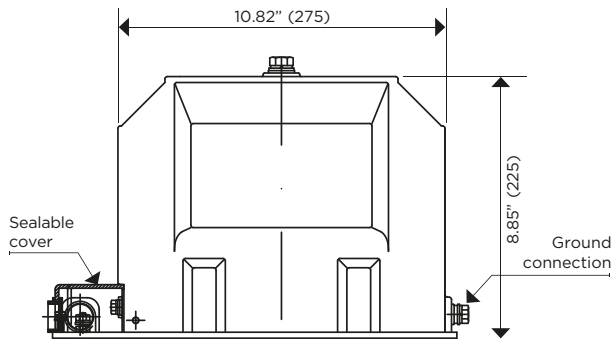
ARTECHE UC/UX/VC series are dry type indoor service voltage transformers. The core is encapsulated with Type B epoxy resin which provides excellent internal dielectric properties and mechanical strength, ensuring a long mechanical and electrical life. The transformer is maintenance free.

The core is built with high permeability grain oriented silicon steel laminations for low losses. The windings are copper wire with copper plate double isolation. The concentric distribution of the coils prevents magnetic flux leakage, achieving greater accuracy and higher capacity to withstand mechanical stresses in adverse operating conditions.

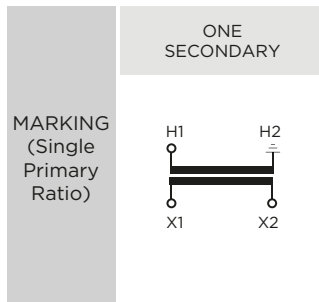
Partial Discharge measurements exceed the IEEE, CAN/CSA and IEC requirements.



Mechanical characteristics		Weight (lbs.)
Insulation Material	Colors	
Resin	Gray	60



Drawing number: 4286160



Approximate dimensions in inches (mm).

UEN-17

15 kV VOLTAGE TRANSFORMER



**INDOOR
60 Hertz**

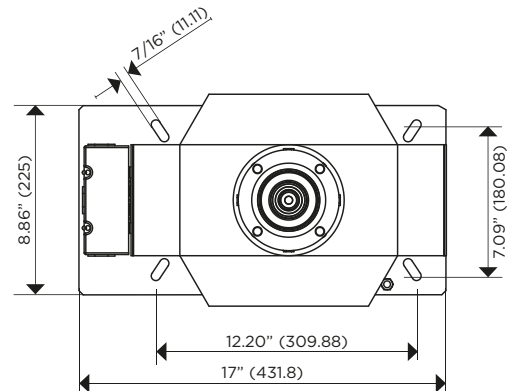
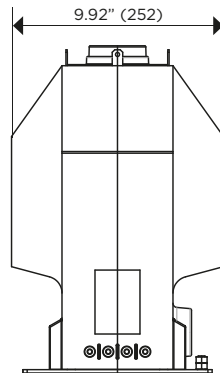
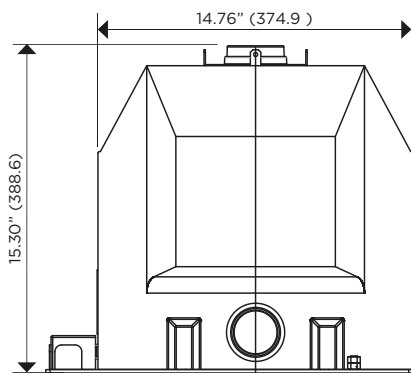
ARTECHE UEN series are dry type indoor service voltage transformers. The entire surface of the transformer is coated with a conductive layer that is intended to be solidly grounded when energized. The core is encapsulated with Type B epoxy resin which provides excellent internal dielectric properties and mechanical strength, ensuring a long mechanical and electrical life. The transformer is maintenance free.

The core is built with high permeability grain oriented silicon steel laminations for low losses. The windings are copper wire with copper plate double isolation. The concentric distribution of the coils prevents magnetic flux leakage, achieving greater accuracy and higher capacity to withstand mechanical stresses in adverse operating conditions.

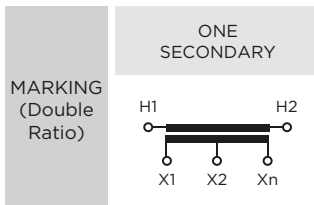
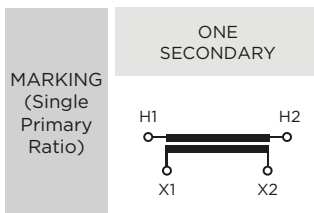
Partial Discharge measurements exceed the IEEE, CAN/CSA and IEC requirements.

Mechanical characteristics

Insulation Material	Colors	Weight (lbs.)
Resin	Gray	133



Drawing number: 4288294



Approximate dimensions in inches (mm).

UEN-17

15 kV VOLTAGE TRANSFORMER

Electrical characteristics

Code	Ratio	Primary (V)	Secondary (V)	IEEE Metering Accuracy	Continuous Rated Voltage Factor (Un)	Rated Voltage Factor 30 s (Un)	Thermal Burden (VA)	Nominal Voltage System (kV)	BIL (kV)	Power-Frequency Withstand Voltage (1 min)	
										Primary & Secondary (kV _{rms})	Secondary Winding (kV _{rms})
Switchgear style (no fuse)											
754550001	20:1	2400/4160GY	120	0.3 W,X,M,Y	1.1	1.25	1000	15	95	34	2.5
754550002	35:1	4200/7280GY	120	0.3 W,X,M,Y	1.1	1.25	1000	15	95	34	2.5
754550003	60:1	7200/12470GY	120	0.3 W,X,M,Y	1.1	1.25	1000	15	95	34	2.5
754550004	63.5:1	7620/13200GY	120	0.3 W,X,M,Y	1.1	1.25	1000	15	95	34	2.5
754550005	70:1	8400/14560GY	120	0.3 W,X,M,Y	1.1	1.25	1000	15	95	34	2.5
754550006	83.33:1	10000/10000GY	120	0.3 W,X,M,Y	1.1	1.25	1000	15	95	34	2.5
754550007	100:1	12000/12000GY	120	0.3 W,X,M,Y	1.1	1.25	1000	15	95	34	2.5
754550008	110:1	13200/13200GY	120	0.3 W,X,M,Y	1.1	1.25	1000	15	95	34	2.5
754550009	120:1	13800/13800GY	115	0.3 W,X,M,Y	1.1	1.25	1000	15	95	34	2.5
754550010	120:1	14400/14400GY	120	0.3 W,X,M,Y	1.1	1.25	1000	15	95	34	2.5

Additional ratings available upon request.

Secondary terminals:

- Size: M6
- Torque: 3 Nm
- Material: Brass

Notes:

.....

.....

.....

.....

.....

.....

.....

.....

.....

.....

.....

.....

.....

.....

.....

.....

.....

.....

.....

.....

.....

.....

.....

.....

.....

.....

.....

UENS-17

15 kV VOLTAGE TRANSFORMER



**INDOOR
60 Hertz**

ARTECHE UENS series are dry type indoor service voltage transformers. The core is encapsulated with Type B epoxy resin which provides excellent internal dielectric properties and mechanical strength, ensuring a long mechanical and electrical life. The transformer is maintenance free.

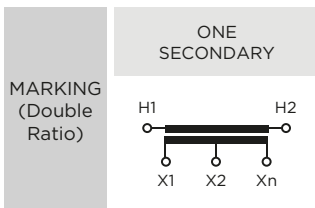
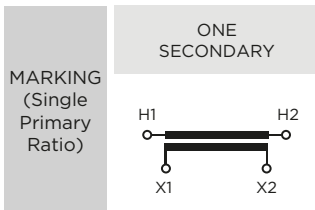
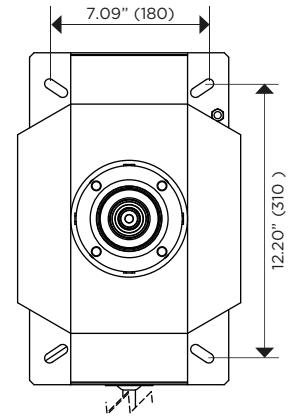
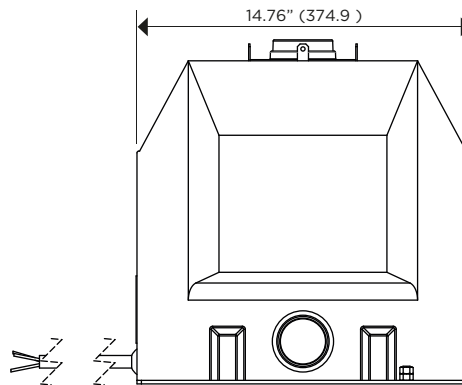
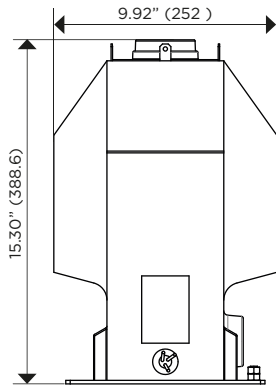
The core is built with high permeability grain oriented silicon steel laminations for low losses. The windings are copper wire with copper plate double isolation. The concentric distribution of the coils prevents magnetic flux leakage, achieving greater accuracy and higher capacity to withstand mechanical stresses in adverse operating conditions.

Partial Discharge measurements exceed the IEEE, CAN/CSA and IEC requirements.

The new design is a voltage transformer for 19 feet (about 6 meter) intermittent submersible application with metallic coating. The model is cast in epoxy resin and is strongly insulated to environment. The UENS (single phase) models are metering units and rated for use up to 15kV submersible operation up to 110kV BIL. The medium voltage terminals are bushing wells compatible with IEEE 386 interfaces.

Mechanical characteristics

Insulation Material	Colors	Weight (lbs.)
Resin	Gray	101



Drawing number: 4288296

Approximate dimensions in inches (mm).

UENS-17

15 kV VOLTAGE TRANSFORMER

Electrical characteristics

Code	Ratio	Primary (V)	Secondary (V)	IEEE Metering Accuracy	Continuous Rated Voltage Factor (Un)	Rated Voltage Factor 30 s (Un)	Thermal Burden (VA)	Nominal Voltage System (kV)	BIL (kV)	Power-Frequency Withstand Voltage (1 min)	
										Primary & Secondary (kV _{rms})	Secondary Winding (kV _{rms})
Submersible style											
754560001	20:1	2400/4160GY	120	0.3 W,X,M,Y	1.1	1.25	1000	15	95	34	2.5
754560002	35:1	4200/7280GY	120	0.3 W,X,M,Y	1.1	1.25	1000	15	95	34	2.5
754560003	60:1	7200/12470GY	120	0.3 W,X,M,Y	1.1	1.25	1000	15	95	34	2.5
754560004	63.5:1	7620/13200GY	120	0.3 W,X,M,Y	1.1	1.25	1000	15	95	34	2.5
754560005	70:1	8400/14560GY	120	0.3 W,X,M,Y	1.1	1.25	1000	15	95	34	2.5
754560006	83.33:1	10000/10000GY	120	0.3 W,X,M,Y	1.1	1.25	1000	15	95	34	2.5
754560007	100:1	12000/12000GY	120	0.3 W,X,M,Y	1.1	1.25	1000	15	95	34	2.5
754560008	110:1	13200/13200GY	120	0.3 W,X,M,Y	1.1	1.25	1000	15	95	34	2.5
754560009	120:1	13800/13800GY	115	0.3 W,X,M,Y	1.1	1.25	1000	15	95	34	2.5
754560010	120:1	14400/14400GY	120	0.3 W,X,M,Y	1.1	1.25	1000	15	95	34	2.5

Additional ratings available upon request.

Secondary terminals:

- 19' Submersible wire.

Notes:

.....

.....

.....

.....

.....

.....

.....

.....

.....

.....

.....

.....

.....

.....

.....

.....

.....

.....

.....

.....

.....

.....

.....

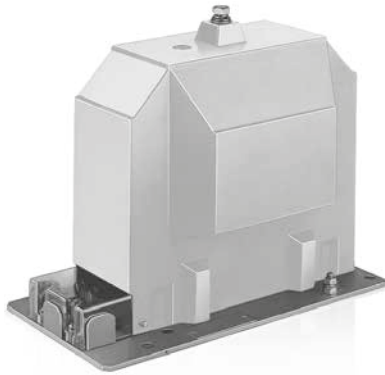
.....

.....

.....

UXL-17

15 kV VOLTAGE TRANSFORMER

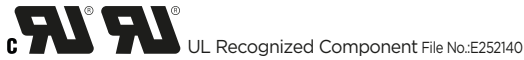


**INDOOR
60 Hertz**

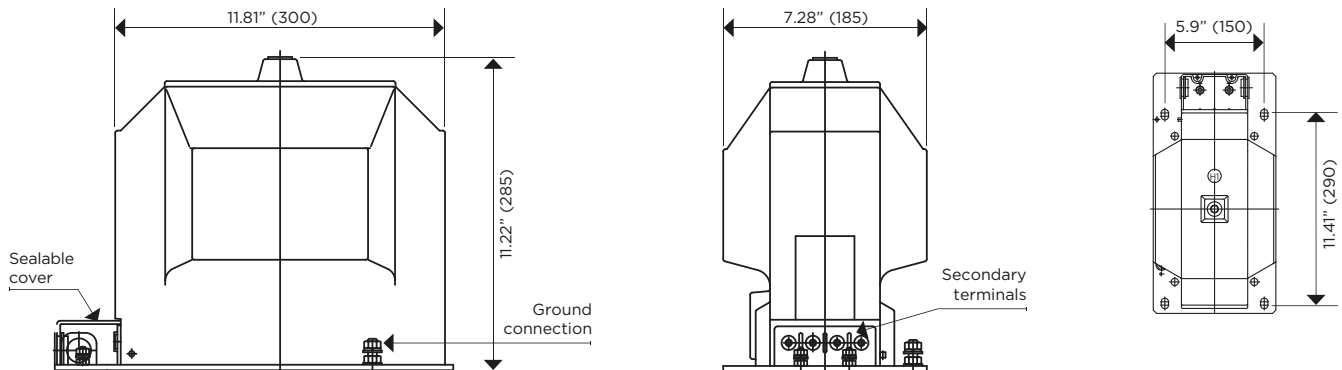
ARTECHE UC/UX/VC series are dry type indoor service voltage transformers. The core is encapsulated with Type B epoxy resin which provides excellent internal dielectric properties and mechanical strength, ensuring a long mechanical and electrical life. The transformer is maintenance free.

The core is built with high permeability grain oriented silicon steel laminations for low losses. The windings are copper wire with copper plate double isolation. The concentric distribution of the coils prevents magnetic flux leakage, achieving greater accuracy and higher capacity to withstand mechanical stresses in adverse operating conditions.

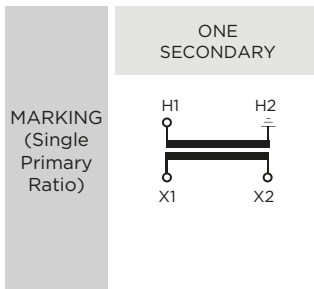
Partial Discharge measurements exceed the IEEE, CAN/CSA and IEC requirements.



Mechanical characteristics		
Insulation Material	Colors	Weight (lbs.)
Resin	Gray	60



Drawing number: 4286157



Approximate dimensions in inches (mm).

UXL-17

15 kV VOLTAGE TRANSFORMER

Electrical characteristics											
Code	Ratio	Primary (V)	Secondary (V)	IEEE Metering Accuracy	Continuous Rated Voltage Factor (Un)	Rated Voltage Factor 30 s (Un)	Thermal Burden (VA)	Nominal Voltage System (kV)	BIL (kV)	Power-Frequency Withstand Voltage (1 min)	
										Primary & Secondary (kV _{rms})	Secondary Winding (kV _{rms})
753441060	60:1	7200/12470GY	120	0.3 W,X,M,Y	1.1	1.5	500	15	110	34	2.5
753441063	63.5:1	7620/13200GY	120	0.3 W,X,M,Y	1.1	1.5	500	15	110	34	2.5
753441070	70:1	8400/14550GY	120	0.3 W,X,M,Y	1.1	1.5	500	15	110	34	2.5

Additional ratings available upon request.

Notes:

.....

.....

.....

.....

.....

.....

.....

.....

.....

.....

.....

.....

.....

.....

.....

.....

.....

.....

.....

.....

.....

.....

.....

.....

.....

.....

.....

VCE-17

15 kV VOLTAGE TRANSFORMER



**INDOOR
60 Hertz**

ARTECHE UC/UX/VC series are dry type indoor service voltage transformers. The core is encapsulated with Type B epoxy resin which provides excellent internal dielectric properties and mechanical strength, ensuring a long mechanical and electrical life. The transformer is maintenance free.

The core is built with high permeability grain oriented silicon steel laminations for low losses. The windings are copper wire with copper plate double isolation. The concentric distribution of the coils prevents magnetic flux leakage, achieving greater accuracy and higher capacity to withstand mechanical stresses in adverse operating conditions.

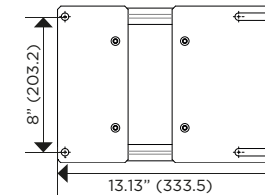
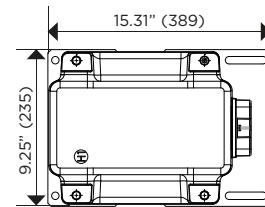
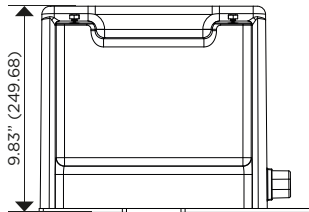
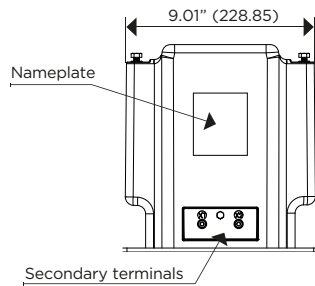
Partial Discharge measurements exceed the IEEE, CAN/CSA and IEC requirements.

UL UL Recognized Component File No.:E252140

Mechanical characteristics

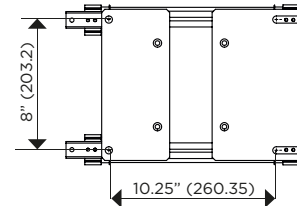
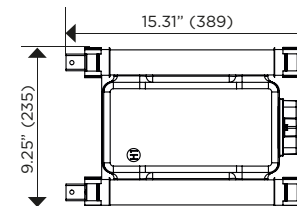
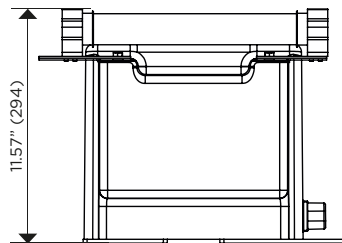
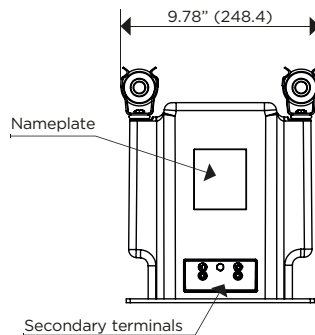
Insulation Material	Colors	Weight (lbs.)
Resin	Gray	85

Unfused

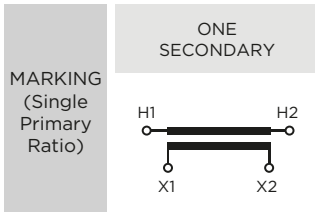


Drawing number: 4287539

Fused



Drawing number: 4286372



Approximate dimensions in inches (mm).

VCE-17

15 kV VOLTAGE TRANSFORMER

Electrical characteristics

Code	Ratio	Primary (V)	Secondary (V)	IEEE Metering Accuracy	Continuous Rated Voltage Factor (Un)	Rated Voltage Factor 30 s (Un)	Thermal Burden (VA)	Nominal Voltage System (kV)	BIL (kV)	Power-Frequency Withstand Voltage (1 min)	
										Primary & Secondary (kV _{rms})	Secondary Winding (kV _{rms})
Switchgear style (no fuse)											
753450060	60:1	7200/12470Y	120	0.3 W,X,M,Y,Z/1.2ZZ	1.1	1.25	1500	15	110	34	2.5
753450070	70:1	8400/14460Y	120	0.3 W,X,M,Y,Z/1.2ZZ	1.1	1.25	1500	15	110	34	2.5
753450100	100:1	12000/12000Y	120	0.3 W,X,M,Y,Z/1.2ZZ	1.1	1.25	1500	15	110	34	2.5
753450110	110:1	13200/13200Y	120	0.3 W,X,M,Y,Z/1.2ZZ	1.1	1.25	1500	15	110	34	2.5
753450120	120:1	14400/14400Y	120	0.3 W,X,M,Y,Z/1.2ZZ	1.1	1.25	1500	15	110	34	2.5
Fuse clips only (no fuse)											
753451060	60:1	7200/12470Y	120	0.3 W,X,M,Y,Z/1.2ZZ	1.1	1.25	1500	15	110	34	2.5
753451070	70:1	8400/14460Y	120	0.3 W,X,M,Y,Z/1.2ZZ	1.1	1.25	1500	15	110	34	2.5
753451100	100:1	12000/12000Y	120	0.3 W,X,M,Y,Z/1.2ZZ	1.1	1.25	1500	15	110	34	2.5
753451110	110:1	13200/13200Y	120	0.3 W,X,M,Y,Z/1.2ZZ	1.1	1.25	1500	15	110	34	2.5
753451120	120:1	14400/14400Y	120	0.3 W,X,M,Y,Z/1.2ZZ	1.1	1.25	1500	15	110	34	2.5
Fuse clips and fuse											
753452060	60:1	7200/12470Y	120	0.3 W,X,M,Y,Z/1.2ZZ	1.1	1.25	1500	15	110	34	2.5
753452070	70:1	8400/14460Y	120	0.3 W,X,M,Y,Z/1.2ZZ	1.1	1.25	1500	15	110	34	2.5
753452100	100:1	12000/12000Y	120	0.3 W,X,M,Y,Z/1.2ZZ	1.1	1.25	1500	15	110	34	2.5
753452110	110:1	13200/13200Y	120	0.3 W,X,M,Y,Z/1.2ZZ	1.1	1.25	1500	15	110	34	2.5
753452120	120:1	14400/14400Y	120	0.3 W,X,M,Y,Z/1.2ZZ	1.1	1.25	1500	15	110	34	2.5

All Units can be supplied either switchgear style, fuse clips only or fuses and clips. Please contact your commercial representant for further information. Additional ratings available upon request.

Notes:

.....

.....

.....

.....

.....

.....

.....

.....

.....

.....

.....

.....

.....

.....

.....

VCL-17

15 kV VOLTAGE TRANSFORMER

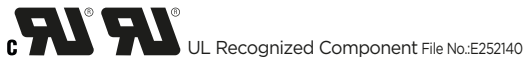


**INDOOR
60 Hertz**

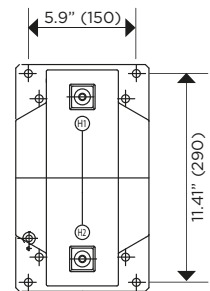
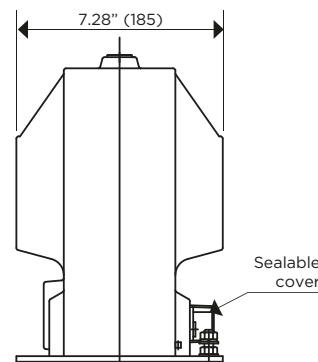
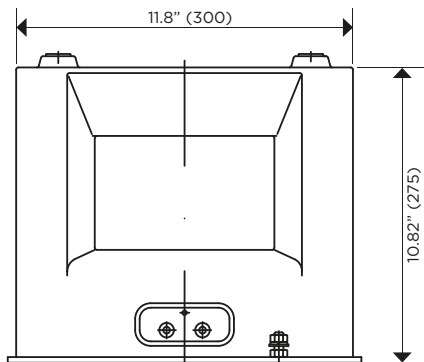
ARTECHE UC/UX/VC series are dry type indoor service voltage transformers. The core is encapsulated with Type B epoxy resin which provides excellent internal dielectric properties and mechanical strength, ensuring a long mechanical and electrical life. The transformer is maintenance free.

The core is built with high permeability grain oriented silicon steel laminations for low losses. The windings are copper wire with copper plate double isolation. The concentric distribution of the coils prevents magnetic flux leakage, achieving greater accuracy and higher capacity to withstand mechanical stresses in adverse operating conditions.

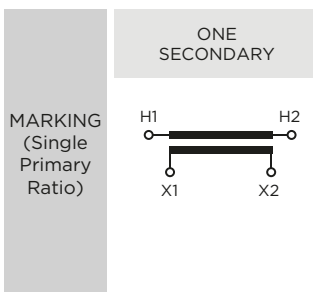
Partial Discharge measurements exceed the IEEE, CAN/CSA and IEC requirements.



Mechanical characteristics		
Insulation Material	Colors	Weight (lbs.)
Resin	Gray	62



Drawing number: 4286156



Approximate dimensions in inches (mm).

VEN-17

15 kV VOLTAGE TRANSFORMER



**INDOOR
60 Hertz**

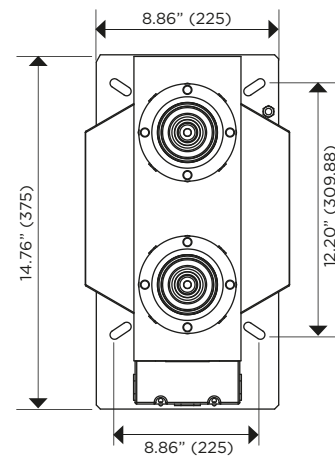
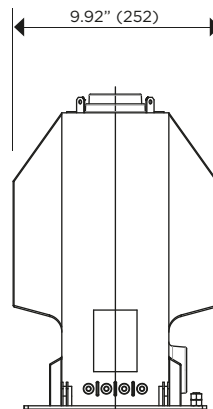
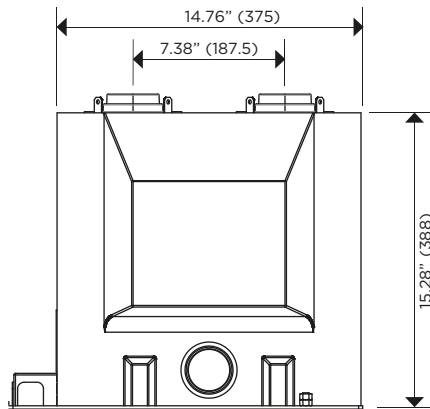
ARTECHE VEN series are dry type indoor service voltage transformers. The entire surface of the transformer is coated with a conductive layer that is intended to be solidly grounded when energized. The core is encapsulated with Type B epoxy resin which provides excellent internal dielectric properties and mechanical strength, ensuring a long mechanical and electrical life. The transformer is maintenance free.

The core is built with high permeability grain oriented silicon steel laminations for low losses. The windings are copper wire with copper plate double isolation. The concentric distribution of the coils prevents magnetic flux leakage, achieving greater accuracy and higher capacity to withstand mechanical stresses in adverse operating conditions.

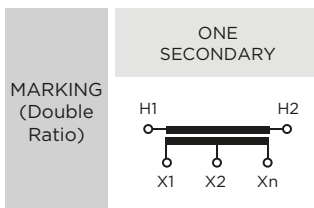
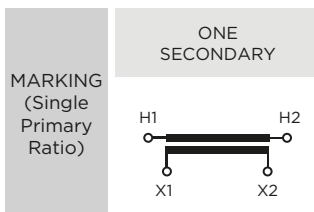
Partial Discharge measurements exceed the IEEE, CAN/CSA and IEC requirements.

Mechanical characteristics

Insulation Material	Colors	Weight (lbs.)
Resin	Gray	140



Drawing number: 4288298



Approximate dimensions in inches (mm).

VEN-17

15 kV VOLTAGE TRANSFORMER

Electrical characteristics

Code	Ratio	Primary (V)	Secondary (V)	IEEE Metering Accuracy	Continuous Rated Voltage Factor (Un)	Rated Voltage Factor 30 s (Un)	Thermal Burden (VA)	Nominal Voltage System (kV)	BIL (kV)	Power-Frequency Withstand Voltage (1 min)	
										Primary & Secondary (kV _{rms})	Secondary Winding (kV _{rms})
Switchgear style (no fuse)											
754570001	20:1	2400/4160Y	120	0.3 W,X,M,Y	1.1	1.25	1000	15	95	34	2.5
754570002	35:1	4200/7280Y	120	0.3 W,X,M,Y	1.1	1.25	1000	15	95	34	2.5
754570003	40:1	4800/8320Y	120	0.3 W,X,M,Y	1.1	1.25	1000	15	95	34	2.5
754570004	57.73:1	6928/12000Y	120	0.3 W,X,M,Y	1.1	1.25	1000	15	95	34	2.5
754570005	60:1	7200/12470Y	120	0.3 W,X,M,Y	1.1	1.25	1000	15	95	34	2.5
754570006	63.5:1	7620/13200Y	120	0.3 W,X,M,Y	1.1	1.25	1000	15	95	34	2.5
754570007	66.42:1	7970/13800Y	120	0.3 W,X,M,Y	1.1	1.25	1000	15	95	34	2.5
754570008	70:1	8400/14560Y	120	0.3 W,X,M,Y	1.1	1.25	1000	15	95	34	2.5
754570009	83.33:1	10000/10000Y	120	0.3 W,X,M,Y	1.1	1.25	1000	15	95	34	2.5
754570010	100:1	12000/12000Y	120	0.3 W,X,M,Y	1.1	1.25	1000	15	95	34	2.5
754570011	103.9:1	12470/12470Y	120	0.3 W,X,M,Y	1.1	1.25	1000	15	95	34	2.5
754570012	110:1	13200/13200Y	120	0.3 W,X,M,Y	1.1	1.25	1000	15	95	34	2.5
754570013	115:1	13800/13800Y	115	0.3 W,X,M,Y	1.1	1.25	1000	15	95	34	2.5
754570014	120:1	14400/14400Y	120	0.3 W,X,M,Y	1.1	1.25	1000	15	95	34	2.5

Additional ratings available upon request.

Secondary terminals:

- Size: M6
- Torque: 3 Nm
- Material: Brass

Notes:

.....

.....

.....

.....

.....

.....

.....

.....

.....

.....

.....

.....

.....

.....

.....

.....

.....

.....

.....

.....

.....

.....

.....

.....

.....

.....

VENS-17

15 kV VOLTAGE TRANSFORMER



INDOOR
60 Hertz

ARTECHE VENS series are dry type indoor service voltage transformers. The core is encapsulated with Type B epoxy resin which provides excellent internal dielectric properties and mechanical strength, ensuring a long mechanical and electrical life. The transformer is maintenance free.

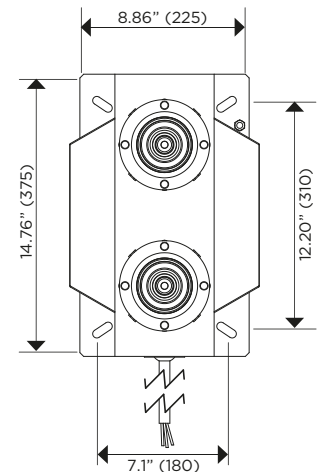
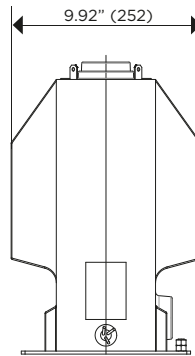
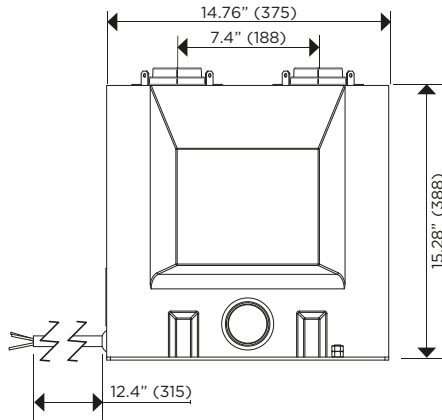
The core is built with high permeability grain oriented silicon steel laminations for low losses. The windings are copper wire with copper plate double isolation. The concentric distribution of the coils prevents magnetic flux leakage, achieving greater accuracy and higher capacity to withstand mechanical stresses in adverse operating conditions.

Partial Discharge measurements exceed the IEEE, CAN/CSA and IEC requirements.

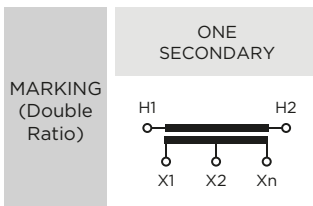
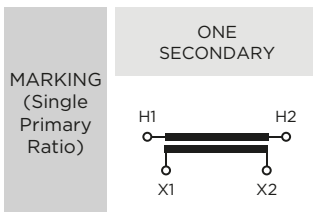
The new design is a voltage transformer for 19 feet (about 6 meter) intermittent submersible application with metallic coating. The model is cast in epoxy resin and is strongly insulated to environment. The VEN-17 (two phase) models are metering units and rated for use up to 15kV submersible operation up to 110kV BIL. The medium voltage terminals are bushing wells compatible with IEEE 386 interfaces.

Mechanical characteristics

Insulation Material	Colors	Weight (lbs.)
Resin	Gray	140



Drawing number: 4288301



Approximate dimensions in inches (mm).

VENUS-17

15 kV VOLTAGE TRANSFORMER

Electrical characteristics											
Code	Ratio	Primary (V)	Secondary (V)	IEEE Metering Accuracy	Continuous Rated Voltage Factor (Un)	Rated Voltage Factor 30 s (Un)	Thermal Burden (VA)	Nominal Voltage System (kV)	BIL (kV)	Power-Frequency Withstand Voltage (1 min)	
										Primary & Secondary (kV _{rms})	Secondary Winding (kV _{rms})
Submersible style											
754580001	20:1	2400/4160Y	120	0.3 W,X,M,Y	1.1	1.25	1000	15	95	34	2.5
754580002	35:1	4200/7280Y	120	0.3 W,X,M,Y	1.1	1.25	1000	15	95	34	2.5
754580003	40:1	4800/8320Y	120	0.3 W,X,M,Y	1.1	1.25	1000	15	95	34	2.5
754580004	57.73:1	6928/12000Y	120	0.3 W,X,M,Y	1.1	1.25	1000	15	95	34	2.5
754580005	60:1	7200/12470Y	120	0.3 W,X,M,Y	1.1	1.25	1000	15	95	34	2.5
754580006	63.5:1	7620/13200Y	120	0.3 W,X,M,Y	1.1	1.25	1000	15	95	34	2.5
754580007	66.42:1	7970/13800Y	120	0.3 W,X,M,Y	1.1	1.25	1000	15	95	34	2.5
754580008	70:1	8400/14560Y	120	0.3 W,X,M,Y	1.1	1.25	1000	15	95	34	2.5
754580009	83.33:1	10000/10000Y	120	0.3 W,X,M,Y	1.1	1.25	1000	15	95	34	2.5
754580010	100:1	12000/12000Y	120	0.3 W,X,M,Y	1.1	1.25	1000	15	95	34	2.5
754580011	103.9:1	12470/12470Y	120	0.3 W,X,M,Y	1.1	1.25	1000	15	95	34	2.5
754580012	110:1	13200/13200Y	120	0.3 W,X,M,Y	1.1	1.25	1000	15	95	34	2.5
754580013	115:1	13800/13800Y	115	0.3 W,X,M,Y	1.1	1.25	1000	15	95	34	2.5
754580014	120:1	14400/14400Y	120	0.3 W,X,M,Y	1.1	1.25	1000	15	95	34	2.5

Additional ratings available upon request.

Secondary terminals:

- 19' Submersible wire.

Notes:

.....

.....

.....

.....

.....

.....

.....

.....

.....

.....

.....

.....

.....

.....

.....

.....

.....

.....

.....

.....

UCJ-24

25 kV VOLTAGE TRANSFORMER

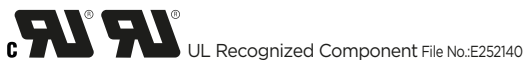


**INDOOR
60 Hertz**

ARTECHE UC/UX/VC series are dry type indoor service voltage transformers. The core is encapsulated with Type B epoxy resin which provides excellent internal dielectric properties and mechanical strength, ensuring a long mechanical and electrical life. The transformer is maintenance free.

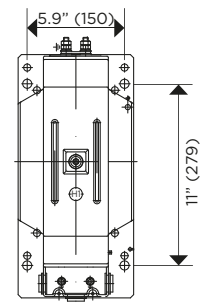
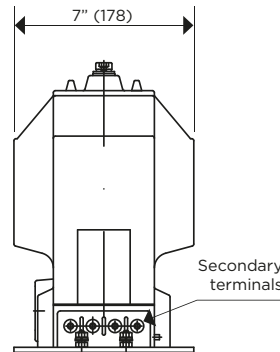
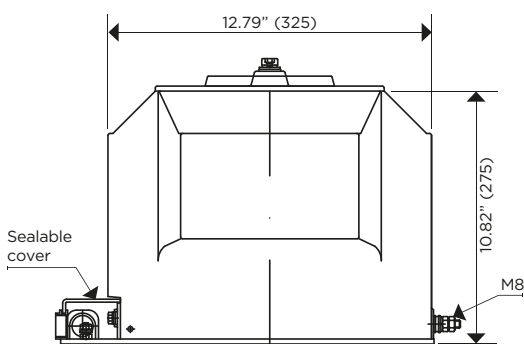
The core is built with high permeability grain oriented silicon steel laminations for low losses. The windings are copper wire with copper plate double isolation. The concentric distribution of the coils prevents magnetic flux leakage, achieving greater accuracy and higher capacity to withstand mechanical stresses in adverse operating conditions.

Partial Discharge measurements exceed the IEEE, CAN/CSA and IEC requirements.

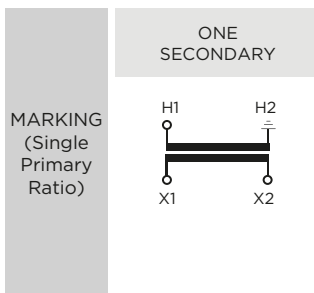


Mechanical characteristics

Insulation Material	Colors	Weight (lbs.)
Resin	Gray	66



Drawing number: 4286163



Approximate dimensions in inches (mm).

UEI-24

25 kV VOLTAGE TRANSFORMER



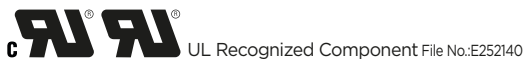
**INDOOR
60 Hertz**

ARTECHE UE series are dry type indoor service voltage transformers. The core is encapsulated with Type B epoxy resin which provides excellent internal dielectric properties and mechanical strength, ensuring a long mechanical and electrical life. The transformer is maintenance free.

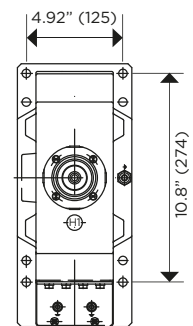
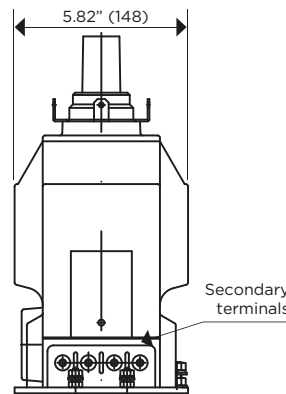
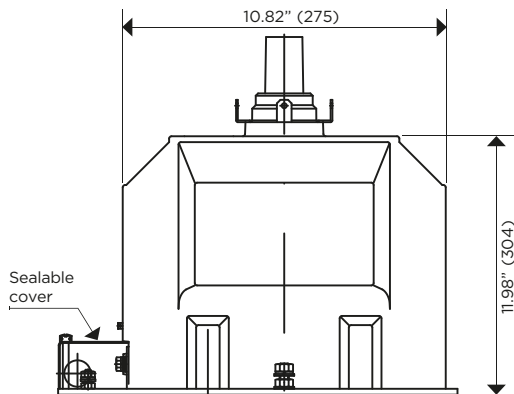
The entire surface of the transformer is coated with a conductive layer that is intended to be solidly grounded when energized. This allows for compact mounting inside switchgear or enclosures.

The core is built with high permeability grain oriented silicon steel laminations for low losses. The windings are copper wire with copper plate double isolation. The concentric distribution of the coils prevents magnetic flux leakage, achieving greater accuracy and higher capacity to withstand mechanical stresses in adverse operating conditions.

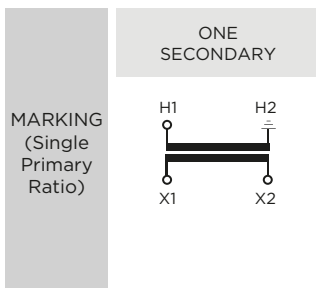
Partial Discharge measurements exceed the IEEE, CAN/CSA and IEC requirements.



Mechanical characteristics		
Insulation Material	Colors	Weight (lbs.)
Resin	Gray	62



Drawing number: 4286164



Approximate dimensions in inches (mm).

UEN-24

25 kV VOLTAGE TRANSFORMER



**INDOOR
60 Hertz**

ARTECHE UEN series are dry type indoor service voltage transformers. The entire surface of the transformer is coated with a conductive layer that is intended to be solidly grounded when energized. The core is encapsulated with Type B epoxy resin which provides excellent internal dielectric properties and mechanical strength, ensuring a long mechanical and electrical life. The transformer is maintenance free.

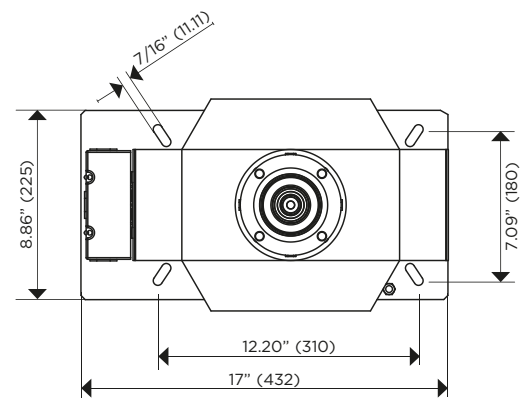
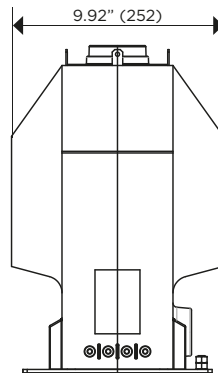
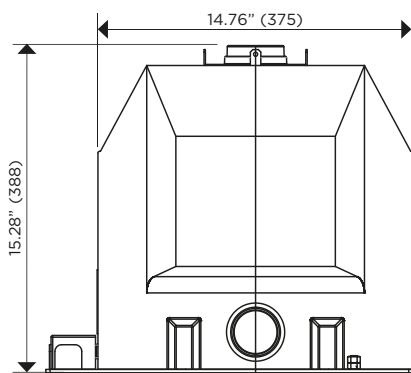
The core is built with high permeability grain oriented silicon steel laminations for low losses. The windings are copper wire with copper plate double isolation. The concentric distribution of the coils prevents magnetic flux leakage, achieving greater accuracy and higher capacity to withstand mechanical stresses in adverse operating conditions.

Partial Discharge measurements exceed the IEEE, CAN/CSA and IEC requirements.

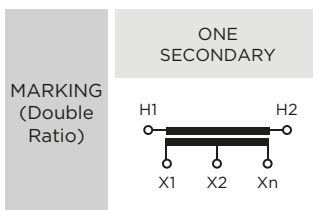
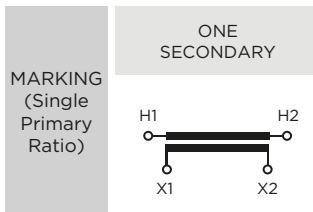
UL  UL Recognized Component File No.:E252140

Mechanical characteristics

Insulation Material	Colors	Weight (lbs.)
Resin	Gray	110



Drawing number: 4287887



Approximate dimensions in inches (mm).

UENS-24

25 kV VOLTAGE TRANSFORMER



INDOOR
60 Hertz

ARTECHE UENS series are dry type indoor service voltage transformers. The core is encapsulated with Type B epoxy resin which provides excellent internal dielectric properties and mechanical strength, ensuring a long mechanical and electrical life. The transformer is maintenance free.

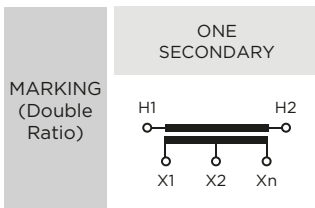
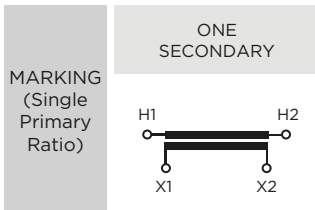
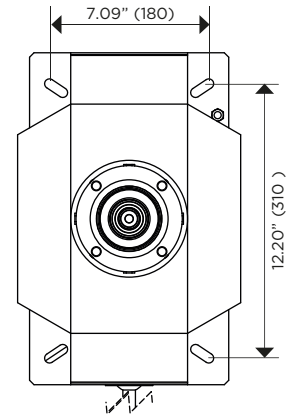
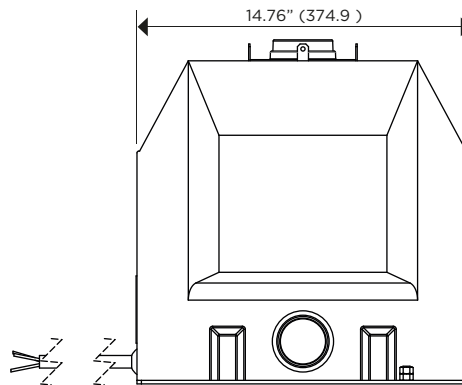
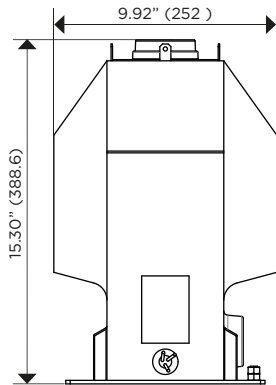
The core is built with high permeability grain oriented silicon steel laminations for low losses. The windings are copper wire with copper plate double isolation. The concentric distribution of the coils prevents magnetic flux leakage, achieving greater accuracy and higher capacity to withstand mechanical stresses in adverse operating conditions.

Partial Discharge measurements exceed the IEEE, CAN/CSA and IEC requirements.

The new design is a voltage transformer for 19 feet (about 6 meter) intermittent submersible application with metallic coating. The model is cast in epoxy resin and is strongly insulated to environment. The UENS (single phase) models are metering units and rated for use up to 25kV submersible operation up to 150kV BIL. The medium voltage terminals are bushing wells compatible with IEEE 386 interfaces.

Mechanical characteristics

Insulation Material	Colors	Weight (lbs.)
Resin	Gray	101



Drawing number: 4288297

Approximate dimensions in inches (mm).

UENS-24

25 kV VOLTAGE TRANSFORMER

Electrical characteristics											
Code	Ratio	Primary (V)	Secondary (V)	IEEE Metering Accuracy	Continuous Rated Voltage Factor (Un)	Rated Voltage Factor 30 s (Un)	Thermal Burden (VA)	Nominal Voltage System (kV)	BIL (kV)	Power-Frequency Withstand Voltage (1 min)	
										Primary & Secondary (kV _{rms})	Secondary Winding (kV _{rms})
Submersible style											
754050001	100:1	12000/20780GY	120	0.3 W,X,M,Y	1.1	1.25	1000	25	125	50	2.5
754050002	120:1	14400/24940GY	120	0.3 W,X,M,Y	1.1	1.25	1000	25	125	50	2.5
754050003	200:1	24000/24000GY	120	0.3 W,X,M,Y	1.1	1.25	1000	25	125	50	2.5

Additional ratings available upon request.

Secondary terminals:

- 19' Submersible wire.

Notes:

.....

.....

.....

.....

.....

.....

.....

.....

.....

.....

.....

.....

.....

.....

.....

.....

.....

.....

.....

.....

.....

.....

.....

.....

.....

.....

VCL-24

25 kV VOLTAGE TRANSFORMER



INDOOR
60 Hertz

ARTECHE UC/UX/VC series are dry type indoor service voltage transformers. The core is encapsulated with Type B epoxy resin which provides excellent internal dielectric properties and mechanical strength, ensuring a long mechanical and electrical life. The transformer is maintenance free.

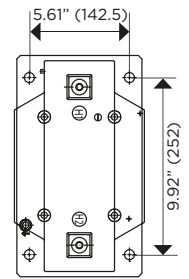
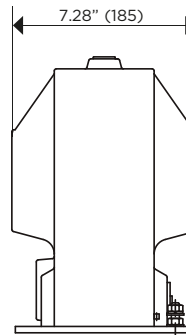
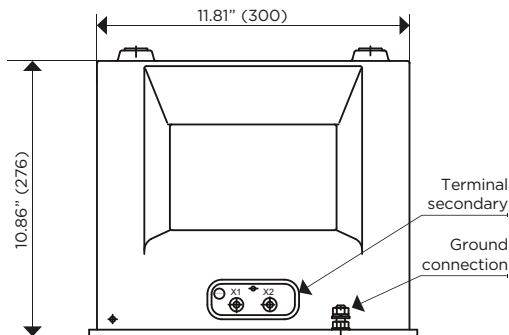
The core is built with high permeability grain oriented silicon steel laminations for low losses. The windings are copper wire with copper plate double isolation. The concentric distribution of the coils prevents magnetic flux leakage, achieving greater accuracy and higher capacity to withstand mechanical stresses in adverse operating conditions.

Partial Discharge measurements exceed the IEEE, CAN/CSA and IEC requirements.

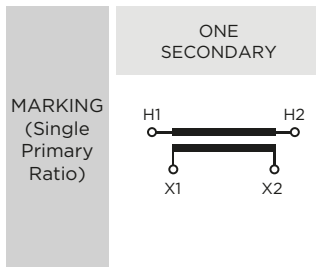


Mechanical characteristics

Insulation Material	Colors	Weight (lbs.)
Resin	Gray	62



Drawing number: 4286158



Approximate dimensions in inches (mm).

VEN-24

25 kV VOLTAGE TRANSFORMER



**INDOOR
60 Hertz**

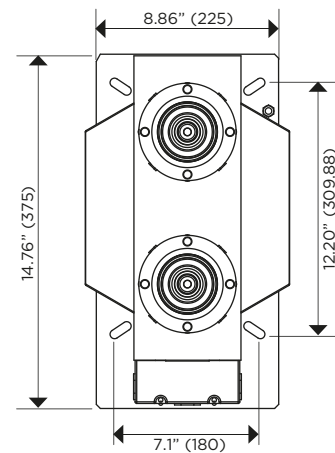
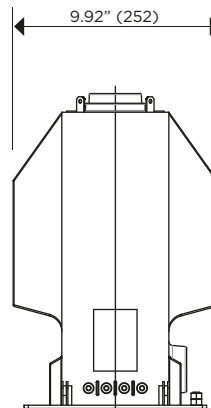
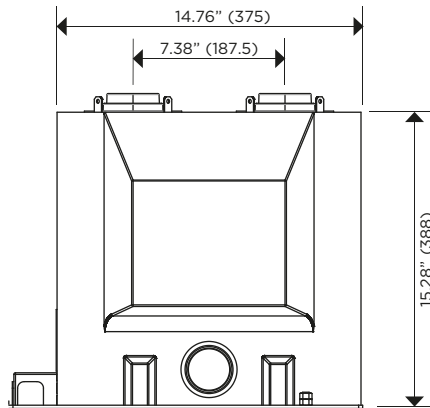
ARTECHE VEN series are dry type indoor service voltage transformers. The entire surface of the transformer is coated with a conductive layer that is intended to be solidly grounded when energized. The core is encapsulated with Type B epoxy resin which provides excellent internal dielectric properties and mechanical strength, ensuring a long mechanical and electrical life. The transformer is maintenance free.

The core is built with high permeability grain oriented silicon steel laminations for low losses. The windings are copper wire with copper plate double isolation. The concentric distribution of the coils prevents magnetic flux leakage, achieving greater accuracy and higher capacity to withstand mechanical stresses in adverse operating conditions.

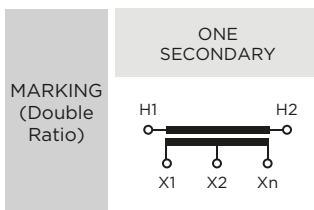
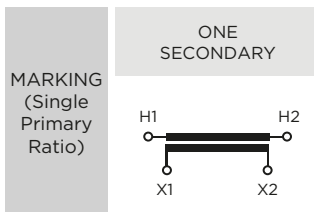
Partial Discharge measurements exceed the IEEE, CAN/CSA and IEC requirements.

Mechanical characteristics

Insulation Material	Colors	Weight (lbs.)
Resin	Gray	140



Drawing number: 4288299



Approximate dimensions in inches (mm).

VEN-24

25 kV VOLTAGE TRANSFORMER

Electrical characteristics											
Code	Ratio	Primary (V)	Secondary (V)	IEEE Metering Accuracy	Continuous Rated Voltage Factor (Un)	Rated Voltage Factor 30 s (Un)	Thermal Burden (VA)	Nominal Voltage System (kV)	BIL (kV)	Power-Frequency Withstand Voltage (1 min)	
										Primary & Secondary (kV _{rms})	Secondary Winding (kV _{rms})
Switchgear style (no fuse)											
753820001	60:1	7200/12470Y	120	0.3 W,X,M,Y	1.1	1.25	1000	25	125	50	2.5
753820002	63.5:1	7620/132010Y	120	0.3 W,X,M,Y	1.1	1.25	1000	25	125	50	2.5
753820003	70:1	8400/14560Y	120	0.3 W,X,M,Y	1.1	1.25	1000	25	125	50	2.5
753820004	100:1	12000/20780Y	120	0.3 W,X,M,Y	1.1	1.25	1000	25	125	50	2.5
753820005	120:1	14400/24940Y	120	0.3 W,X,M,Y	1.1	1.25	1000	25	125	50	2.5
753820006	150:1	18000/18000Y	120	0.3 W,X,M,Y	1.1	1.25	1000	25	125	50	2.5
753820007	200:1	24000/24000Y	120	0.3 W,X,M,Y	1.1	1.25	1000	25	125	50	2.5
753820008	207.83:1	24940/24940Y	120	0.3 W,X,M,Y	1.1	1.25	1000	25	125	50	2.5

Additional ratings available upon request.

Secondary terminals:

- Size: M6
- Torque: 3 Nm
- Material: Brass

Notes:

.....

.....

.....

.....

.....

.....

.....

.....

.....

.....

.....

.....

.....

.....

.....

.....

.....

.....

.....

.....

.....

.....

VENS-24

25 kV VOLTAGE TRANSFORMER



**INDOOR
60 Hertz**

ARTECHE VENS series are dry type indoor service voltage transformers. The core is encapsulated with Type B epoxy resin which provides excellent internal dielectric properties and mechanical strength, ensuring a long mechanical and electrical life. The transformer is maintenance free.

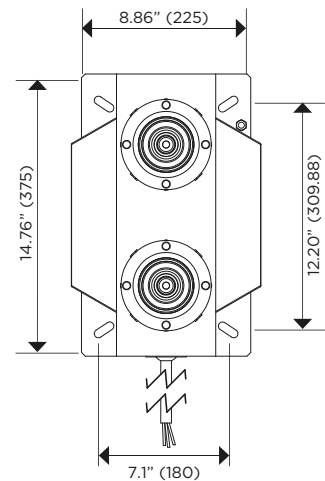
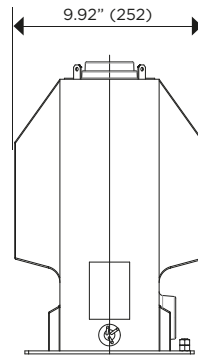
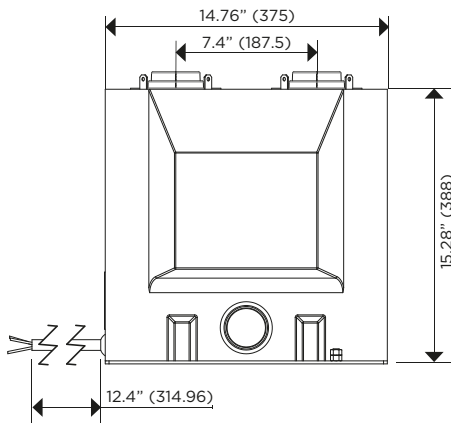
The core is built with high permeability grain oriented silicon steel laminations for low losses. The windings are copper wire with copper plate double isolation. The concentric distribution of the coils prevents magnetic flux leakage, achieving greater accuracy and higher capacity to withstand mechanical stresses in adverse operating conditions.

Partial Discharge measurements exceed the IEEE, CAN/CSA and IEC requirements.

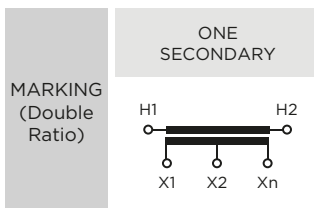
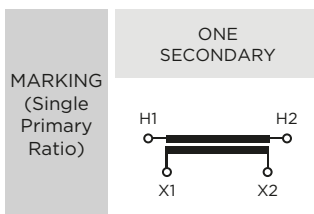
The new design is a voltage transformer for 19 feet (about 6 meter) intermittent submersible application with metallic coating. The model is cast in epoxy resin and is strongly insulated to environment. The VEN-24 (two phase) models are metering units and rated for use up to 25kV submersible operation up to 150kV BIL. The medium voltage terminals are bushing wells compatible with IEEE 386 interfaces.

Mechanical characteristics

Insulation Material	Colors	Weight (lbs.)
Resin	Gray	140



Drawing number: 4288302



Approximate dimensions in inches (mm).

UEN-36

34.5 kV VOLTAGE TRANSFORMER



**INDOOR
60 Hertz**

ARTECHE UEN series are dry type indoor service voltage transformers. The entire surface of the transformer is coated with a conductive layer that is intended to be solidly grounded when energized. The core is encapsulated with Type B epoxy resin which provides excellent internal dielectric properties and mechanical strength, ensuring a long mechanical and electrical life. The transformer is maintenance free.

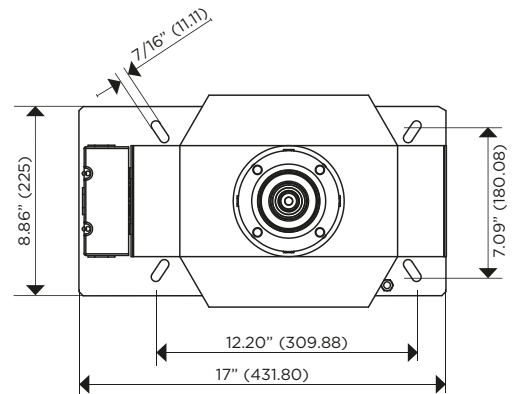
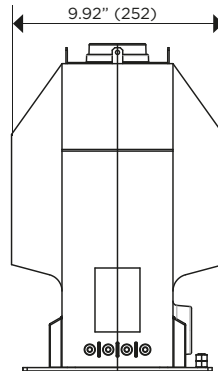
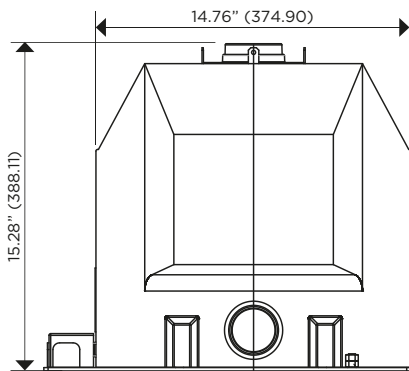
The core is built with high permeability grain oriented silicon steel laminations for low losses. The windings are copper wire with copper plate double isolation. The concentric distribution of the coils prevents magnetic flux leakage, achieving greater accuracy and higher capacity to withstand mechanical stresses in adverse operating conditions.

Partial Discharge measurements exceed the IEEE, CAN/CSA and IEC requirements.

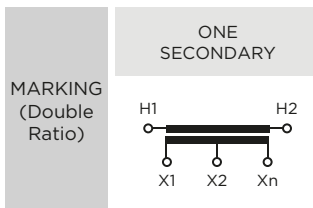
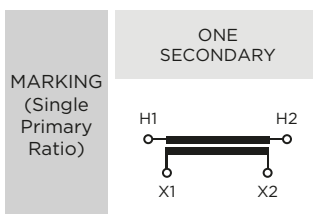
UL UL Recognized Component File No.:E252140

Mechanical characteristics

Insulation Material	Colors	Weight (lbs.)
Resin	Gray	133



Drawing number: 4288217



Approximate dimensions in inches (mm).

UEN-36

34.5 kV VOLTAGE TRANSFORMER

Electrical characteristics											
Code	Ratio	Primary (V)	Secondary (V)	IEEE Metering Accuracy	Continuous Rated Voltage Factor (Un)	Rated Voltage Factor 30 s (Un)	Thermal Burden (VA)	Nominal Voltage System (kV)	BIL (kV)	Power-Frequency Withstand Voltage (1 min)	
										Primary & Secondary (kV _{rms})	Secondary Winding (kV _{rms})
Switchgear style (no fuse)											
754200001	175:1	20125/34500GY	115	0.3 W,X,M,Y	1.1	1.25	1000	34.5	150	70	2.5
754200002	200:1	24000/24000GY	120	0.3 W,X,M,Y	1.1	1.25	1000	34.5	150	70	2.5
754200003	207.5:1	24900/24900GY	120	0.3 W,X,M,Y	1.1	1.25	1000	34.5	150	70	2.5
754200004	208.33:1	25000/25000GY	120	0.3 W,X,M,Y	1.1	1.25	1000	34.5	150	70	2.5
754200005	220:1	26400/26400GY	120	0.3 W,X,M,Y	1.1	1.25	1000	34.5	150	70	2.5
754200006	240:1	27600/27600GY	115	0.3 W,X,M,Y	1.1	1.25	1000	34.5	150	70	2.5
754200007	240:1	28800/28800GY	120	0.3 W,X,M,Y	1.1	1.25	1000	34.5	150	70	2.5
754200008	300:1	34500/34500GY	115	0.3 W,X,M,Y	1.1	1.25	1000	34.5	150	70	2.5

Additional ratings available upon request.

Secondary terminals:

- Size: M6
- Torque: 3 Nm
- Material: Brass

Notes:

.....
.....
.....
.....
.....
.....
.....
.....
.....
.....
.....
.....
.....
.....
.....
.....
.....
.....
.....
.....
.....
.....
.....

UENS-36

34.5 kV VOLTAGE TRANSFORMER



INDOOR
60 Hertz

ARTECHE UENS series are dry type indoor service voltage transformers. The core is encapsulated with Type B epoxy resin which provides excellent internal dielectric properties and mechanical strength, ensuring a long mechanical and electrical life. The transformer is maintenance free.

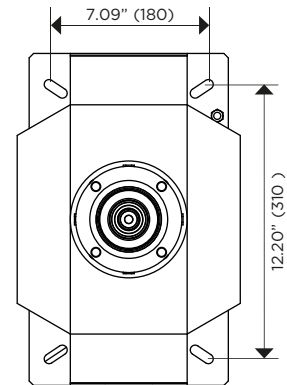
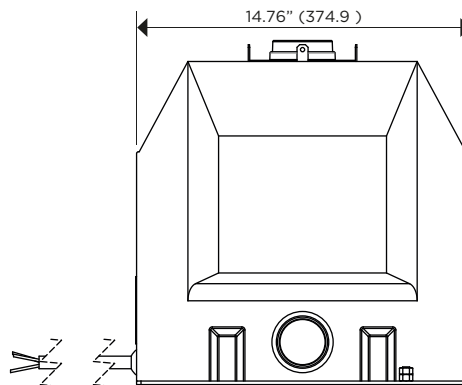
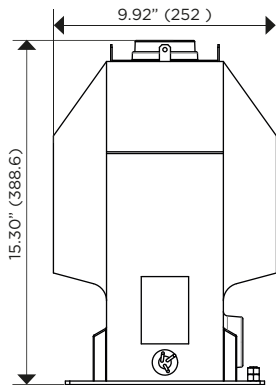
The core is built with high permeability grain oriented silicon steel laminations for low losses. The windings are copper wire with copper plate double isolation. The concentric distribution of the coils prevents magnetic flux leakage, achieving greater accuracy and higher capacity to withstand mechanical stresses in adverse operating conditions.

Partial Discharge measurements exceed the IEEE, CAN/CSA and IEC requirements.

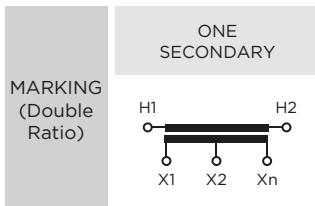
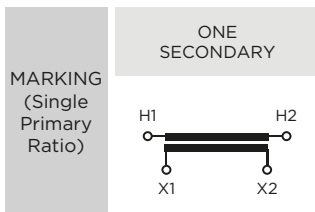
The new design is a voltage transformer for 19 feet (about 6 meter) intermittent submersible application with metallic coating. The model is cast in epoxy resin and is strongly insulated to environment. The UENS (single phase) models are metering units and rated for use up to 34.5kV submersible operation up to 200kV BIL. The medium voltage terminals are bushing wells compatible with IEEE 386 interfaces.

Mechanical characteristics

Insulation Material	Colors	Weight (lbs.)
Resin	Gray	133



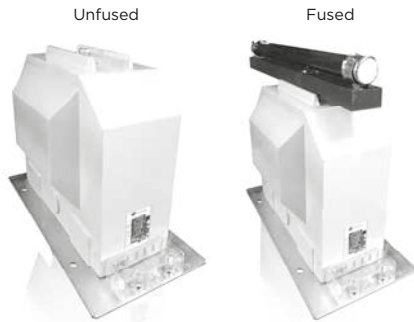
Drawing number: 4288217



Approximate dimensions in inches (mm).

UCS-36

34.5 kV VOLTAGE TRANSFORMER

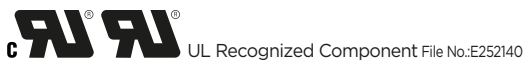


INDOOR
60 Hertz

ARTECHE UC/UX/VC series are dry type indoor service voltage transformers. The core is encapsulated with Type B epoxy resin which provides excellent internal dielectric properties and mechanical strength, ensuring a long mechanical and electrical life. The transformer is maintenance free.

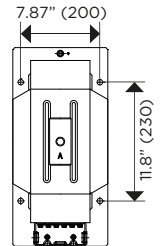
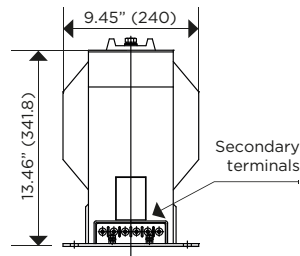
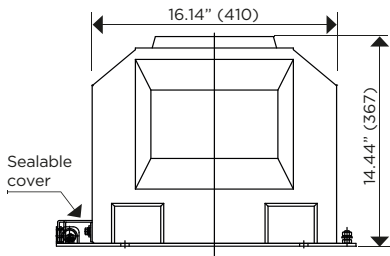
The core is built with high permeability grain oriented silicon steel laminations for low losses. The windings are copper wire with copper plate double isolation. The concentric distribution of the coils prevents magnetic flux leakage, achieving greater accuracy and higher capacity to withstand mechanical stresses in adverse operating conditions.

Partial Discharge measurements exceed the IEEE, CAN/CSA and IEC requirements.



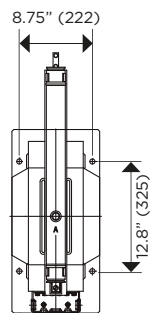
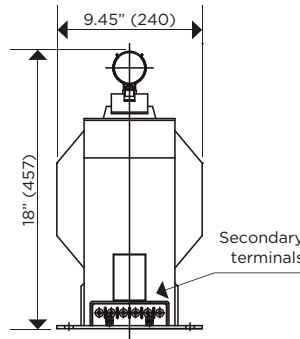
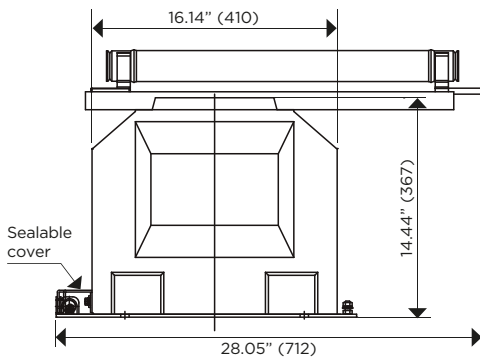
Mechanical characteristics		
Insulation Material	Colors	Weight (lbs.)
Resin	Gray	167

Unfused:

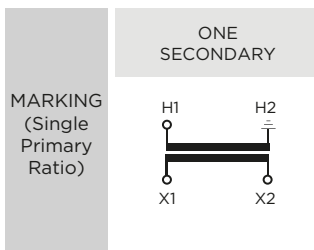


Drawing number: 4287357

Fused:



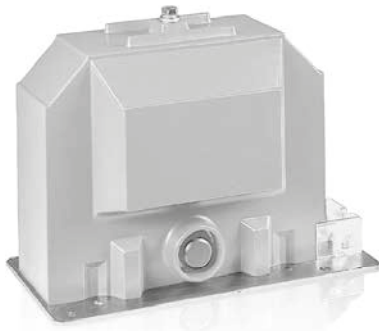
Drawing number: 3287479



Approximate dimensions in inches (mm).

UXN-36

34.5 kV VOLTAGE TRANSFORMER



**INDOOR
60 Hertz**

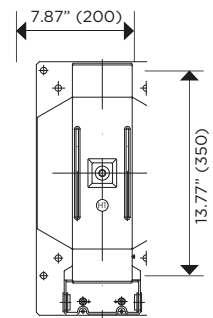
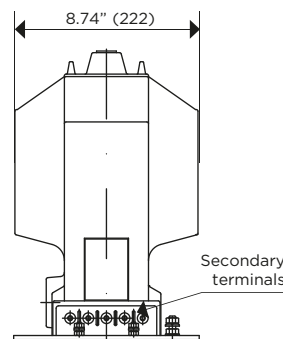
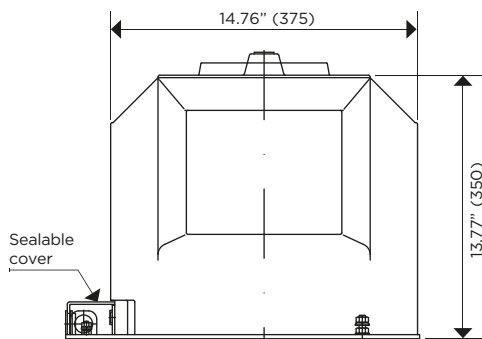
ARTECHE UC/UX/VC series are dry type indoor service voltage transformers. The core is encapsulated with Type B epoxy resin which provides excellent internal dielectric properties and mechanical strength, ensuring a long mechanical and electrical life. The transformer is maintenance free.

The core is built with high permeability grain oriented silicon steel laminations for low losses. The windings are copper wire with copper plate double isolation. The concentric distribution of the coils prevents magnetic flux leakage, achieving greater accuracy and higher capacity to withstand mechanical stresses in adverse operating conditions.

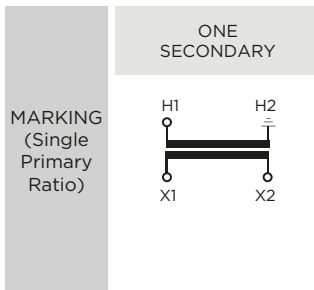
Partial Discharge measurements exceed the IEEE, CAN/CSA and IEC requirements.

Mechanical characteristics

Insulation Material	Colors	Weight (lbs.)
Resin	Gray	97



Drawing number: 4286161



Approximate dimensions in inches (mm).

VCN-36

34.5 kV VOLTAGE TRANSFORMER



**INDOOR
60 Hertz**

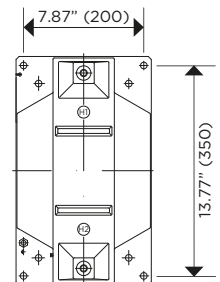
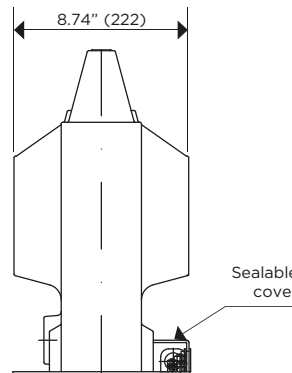
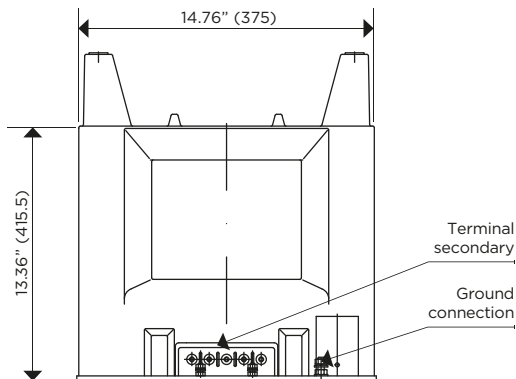
ARTECHE UC/UX/VC series are dry type indoor service voltage transformers. The core is encapsulated with Type B epoxy resin which provides excellent internal dielectric properties and mechanical strength, ensuring a long mechanical and electrical life. The transformer is maintenance free.

The core is built with high permeability grain oriented silicon steel laminations for low losses. The windings are copper wire with copper plate double isolation. The concentric distribution of the coils prevents magnetic flux leakage, achieving greater accuracy and higher capacity to withstand mechanical stresses in adverse operating conditions.

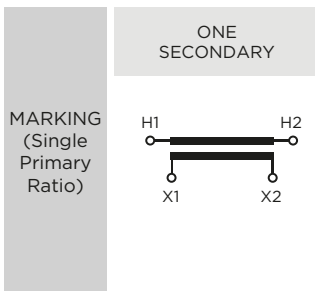
Partial Discharge measurements exceed the IEEE, CAN/CSA and IEC requirements.



Mechanical characteristics		Weight (lbs.)
Insulation Material	Colors	
Resin	Gray	99



Drawing number: 4286162



Approximate dimensions in inches (mm).

VEN-36

34.5 kV VOLTAGE TRANSFORMER



**INDOOR
60 Hertz**

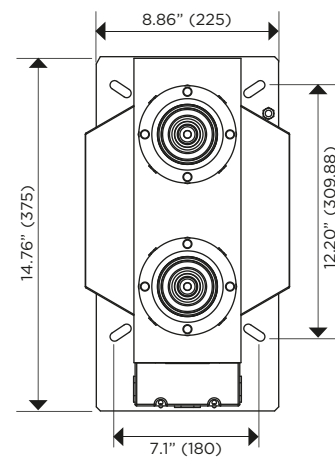
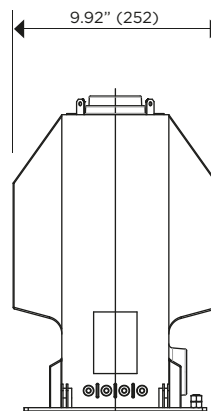
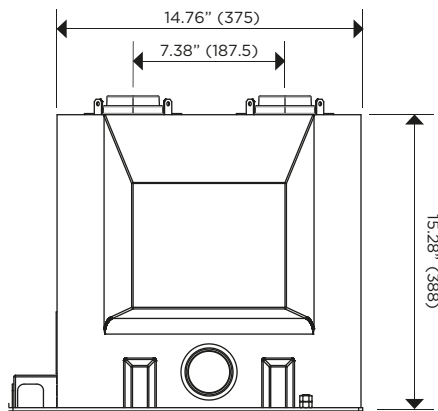
ARTECHE VEN series are dry type indoor service voltage transformers. The entire surface of the transformer is coated with a conductive layer that is intended to be solidly grounded when energized. The core is encapsulated with Type B epoxy resin which provides excellent internal dielectric properties and mechanical strength, ensuring a long mechanical and electrical life. The transformer is maintenance free.

The core is built with high permeability grain oriented silicon steel laminations for low losses. The windings are copper wire with copper plate double isolation. The concentric distribution of the coils prevents magnetic flux leakage, achieving greater accuracy and higher capacity to withstand mechanical stresses in adverse operating conditions.

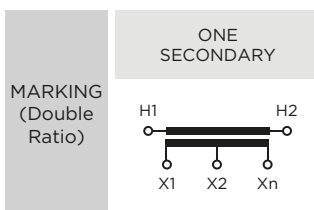
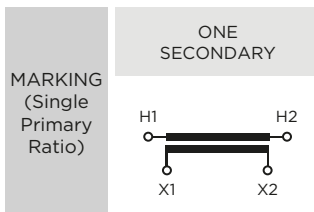
Partial Discharge measurements exceed the IEEE, CAN/CSA and IEC requirements.

Mechanical characteristics

Insulation Material	Colors	Weight (lbs.)
Resin	Gray	140



Drawing number: 4288300



Approximate dimensions in inches (mm).

VENS-36

34.5 kV VOLTAGE TRANSFORMER



**INDOOR
60 Hertz**

ARTECHE VENS series are dry type indoor service voltage transformers. The core is encapsulated with Type B epoxy resin which provides excellent internal dielectric properties and mechanical strength, ensuring a long mechanical and electrical life. The transformer is maintenance free.

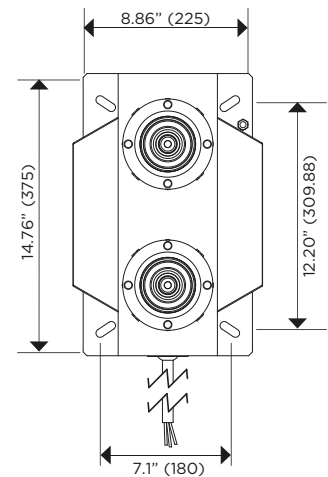
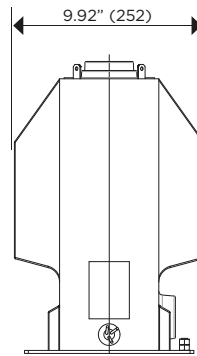
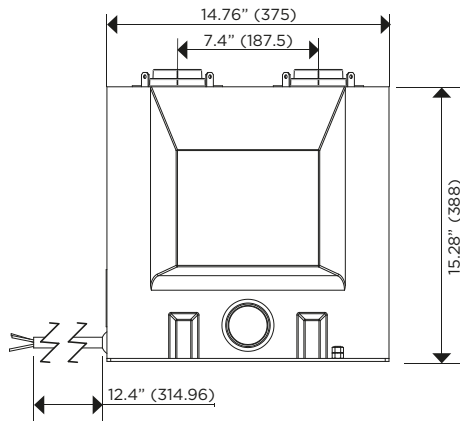
The core is built with high permeability grain oriented silicon steel laminations for low losses. The windings are copper wire with copper plate double isolation. The concentric distribution of the coils prevents magnetic flux leakage, achieving greater accuracy and higher capacity to withstand mechanical stresses in adverse operating conditions.

Partial Discharge measurements exceed the IEEE, CAN/CSA and IEC requirements.

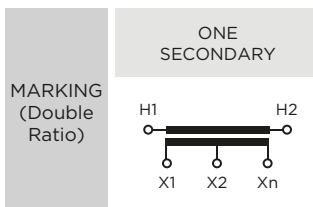
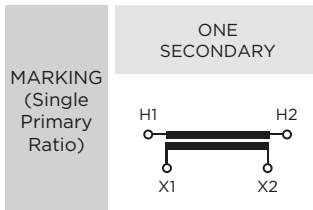
The new design is a voltage transformer for 19 feet (about 6 meter) intermittent submersible application with metallic coating. The model is cast in epoxy resin and is strongly insulated to environment. The VEN-36 (two phase) models are metering units and rated for use up to 34.5kV submersible operation up to 200kV BIL. The medium voltage terminals are bushing wells compatible with IEEE 386 interfaces.

Mechanical characteristics

Insulation Material	Colors	Weight (lbs.)
Resin	Gray	140



Drawing number: 4288303



Approximate dimensions in inches (mm).

VENUS-36

34.5 kV VOLTAGE TRANSFORMER

Electrical characteristics

Code	Ratio	Primary (V)	Secondary (V)	IEEE Metering Accuracy	Continuous Rated Voltage Factor (Un)	Rated Voltage Factor 30 s (Un)	Thermal Burden (VA)	Nominal Voltage System (kV)	BIL (kV)	Power-Frequency Withstand Voltage (1 min)	
										Primary & Secondary (kV _{rms})	Secondary Winding (kV _{rms})
Submersible style											
754140001	150:1	18000/18000Y	120	0.3 W,X,M,Y	1.1	1.25	1000	34.5	150	70	2.5
754140002	175:1	20125/34500Y	115	0.3 W,X,M,Y	1.1	1.25	1000	34.5	150	70	2.5
754140003	200:1	2400/2400Y	120	0.3 W,X,M,Y	1.1	1.25	1000	34.5	150	70	2.5
754140004	220:1	26400/26400Y	120	0.3 W,X,M,Y	1.1	1.25	1000	34.5	150	70	2.5
754140005	230:1	27600/27600Y	120	0.3 W,X,M,Y	1.1	1.25	1000	34.5	150	70	2.5
754140006	240:1	27600/27600Y	115	0.3 W,X,M,Y	1.1	1.25	1000	34.5	150	70	2.5
754140007	287.5:1	24500/34500Y	120	0.3 W,X,M,Y	1.1	1.25	1000	34.5	150	70	2.5
754140008	300:1	34500/34500Y	115	0.3 W,X,M,Y	1.1	1.25	1000	34.5	150	70	2.5
754140009	313.63:1	34500/34500Y	110	0.3 W,X,M,Y	1.1	1.25	1000	34.5	150	70	2.5

Additional ratings available upon request.

Secondary terminals:

- 19' Submersible wire.

Notes:

.....

.....

.....

.....

.....

.....

.....

.....

.....

.....

.....

.....

.....

.....

.....

.....

.....

.....

.....

.....

.....

.....

.....

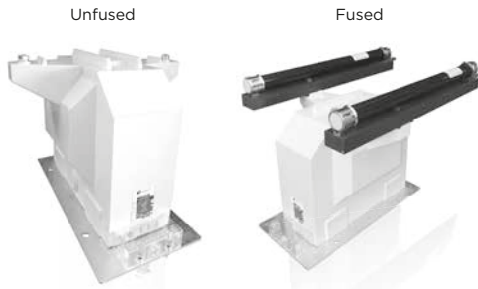
.....

.....

.....

VCS-36

34.5 kV VOLTAGE TRANSFORMER



INDOOR
60 Hertz

ARTECHE UC/UX/VC series are dry type indoor service voltage transformers. The core is encapsulated with Type B epoxy resin which provides excellent internal dielectric properties and mechanical strength, ensuring a long mechanical and electrical life. The transformer is maintenance free.

The core is built with high permeability grain oriented silicon steel laminations for low losses. The windings are copper wire with copper plate double isolation. The concentric distribution of the coils prevents magnetic flux leakage, achieving greater accuracy and higher capacity to withstand mechanical stresses in adverse operating conditions.

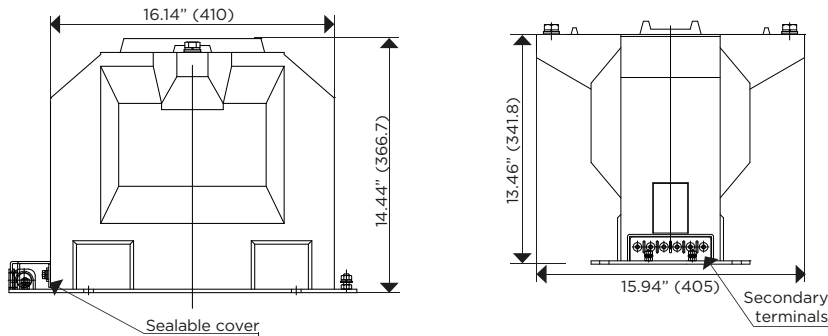
Partial Discharge measurements exceed the IEEE, CAN/CSA and IEC requirements.



Mechanical characteristics

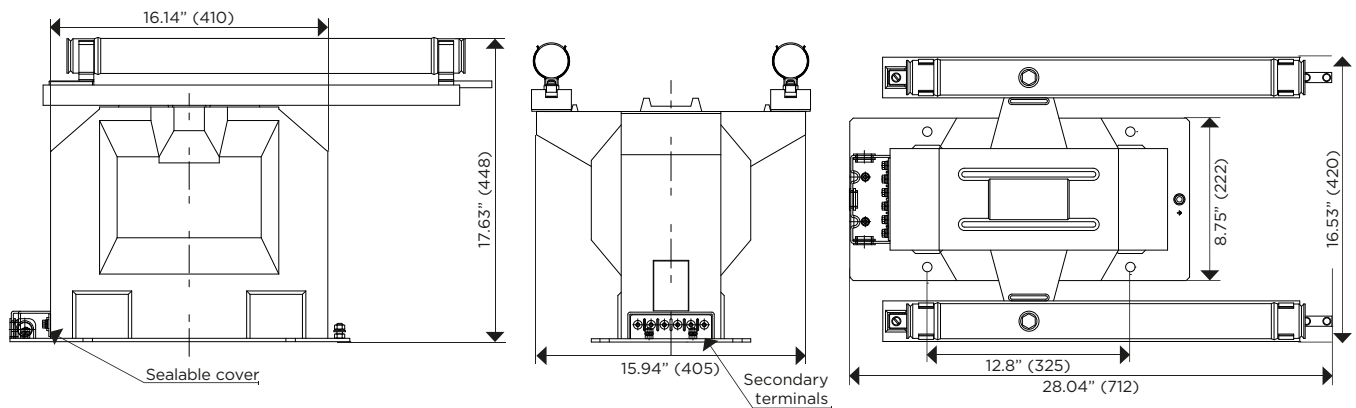
Insulation Material	Colors	Weight (lbs.)
Resin	Gray	174

Unfused:

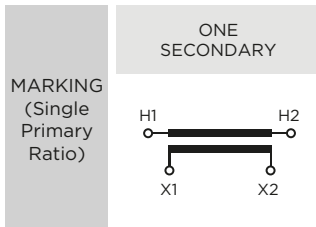


Drawing number: 4287358

Fused:



Drawing number: 4286162



Approximate dimensions in inches (mm).

CID-7

5 kV CURRENT TRANSFORMER

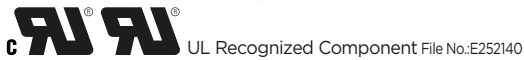


INDOOR
60 Hertz

ARTECHE AC/CID Series are dry type indoor service current transformers. The core is encapsulated with Type B epoxy resin which provides excellent internal dielectric properties and mechanical strength, ensuring a long mechanical and electrical life. The transformer is maintenance free.

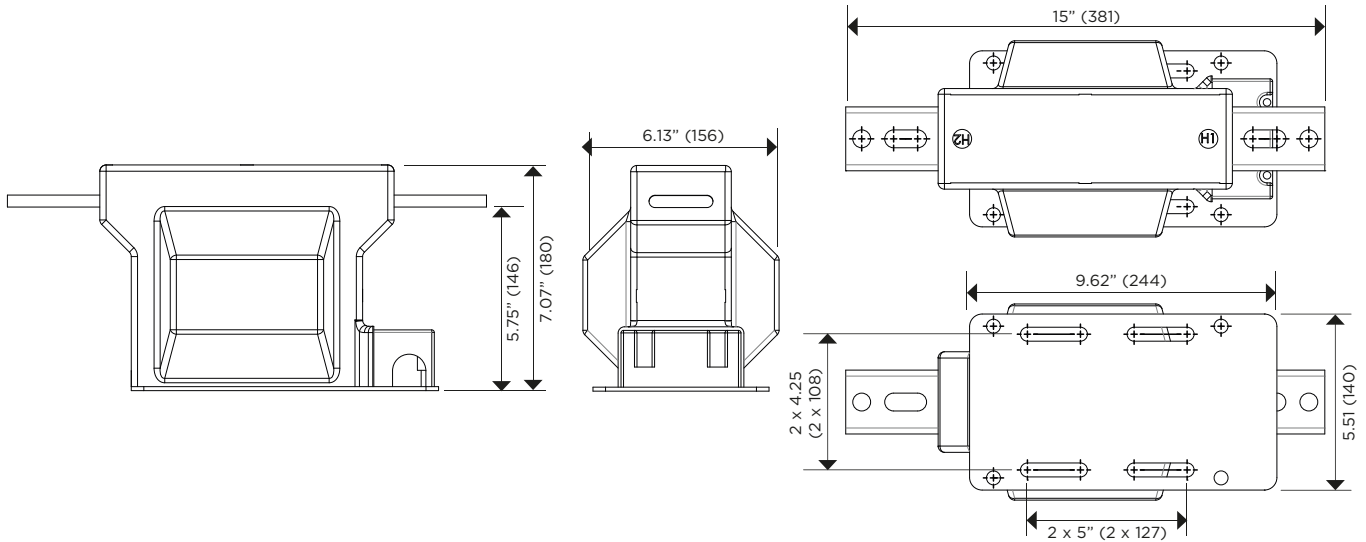
The core is built with high permeability grain oriented silicon steel laminations for low losses. The windings are copper wire with copper plate double isolation. The concentric distribution of the coils prevents magnetic flux leakage, achieving greater accuracy and higher capacity to withstand mechanical stresses in adverse operating conditions.

Partial discharge measurements exceed IEEE C57.13 2016 requirements.

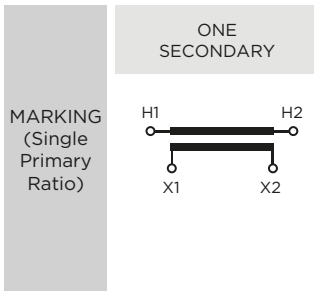


Mechanical characteristics

Insulation Material	Colors	Weight (lbs.)
Resin	Gray *	38



Drawing number: 4287524



Approximate dimensions in inches (mm).

ACD-12

8.7 kV CURRENT TRANSFORMER



**INDOOR
60 Hertz**

ARTECHE AC series are dry insulated indoor service current transformers. The CT core is encapsulated with Type B epoxy resin resulting in excellent internal dielectric properties and mechanical strength. The device is maintenance free, providing a long mechanical and electrical service life.

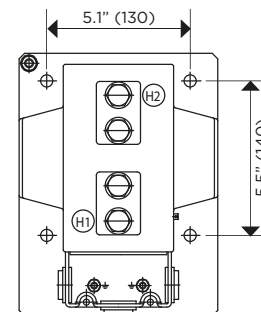
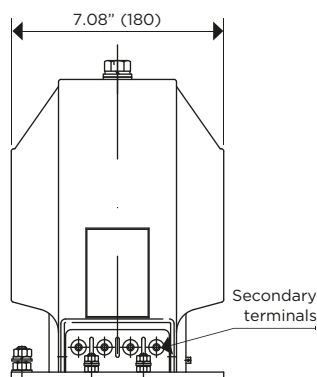
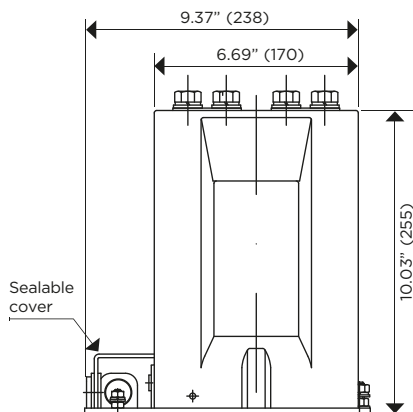
The core of the CT is constructed from silicon steel laminations with a high permeability grain orientation resulting in low core losses. The windings are copper wire with copper plate double isolation. Concentric distribution of the CT coils prevents magnetic flux leakage, achieving greater accuracy and higher capacity to withstand mechanical stresses under adverse operating conditions.

Partial Discharge measurements exceed the IEEE, CAN/CSA and IEC requirements.

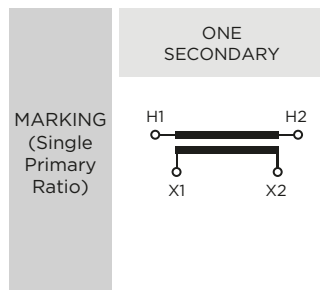


Mechanical characteristics

Insulation Material	Colors	Weight (lbs.)
Resin	Gray	35.3



Drawing number: 4286138



Approximate dimensions in inches (mm).

AGPE-12

8.7 kV CURRENT TRANSFORMER



INDOOR
60 Hertz

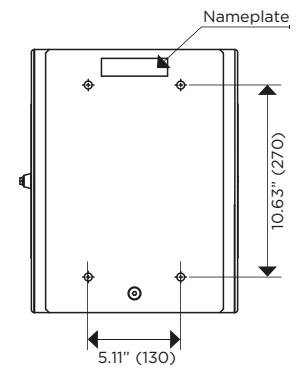
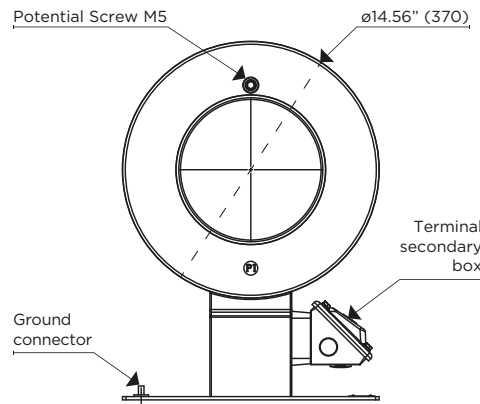
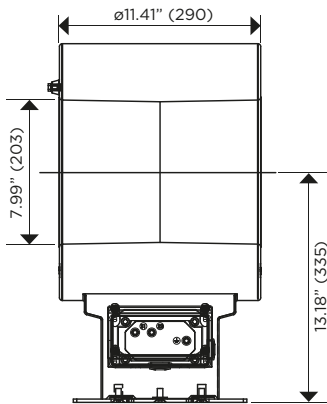
ARTECHE AG Series are dry type indoor service current transformers. The core is encapsulated with Type B epoxy resin which provides excellent internal dielectric properties and mechanical strength, ensuring a long mechanical and electrical life. The transformer is maintenance free.

The core is built with high permeability grain oriented silicon steel laminations for low losses. The windings are copper wire with copper plate double isolation. The concentric distribution of the coils prevents magnetic flux leakage, achieving greater accuracy and higher capacity to withstand mechanical stresses in adverse operating conditions.

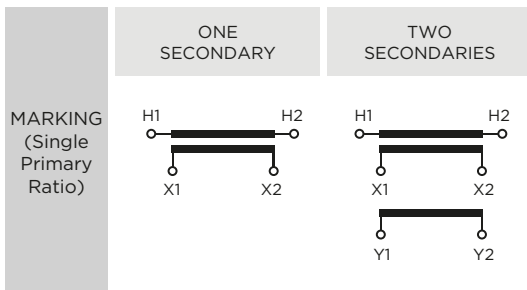
Partial Discharge measurements exceed the IEEE, CAN/CSA and IEC requirements.

Mechanical characteristics

Insulation Material	Colors	Weight (lbs.)
Resin	Gray	165.3



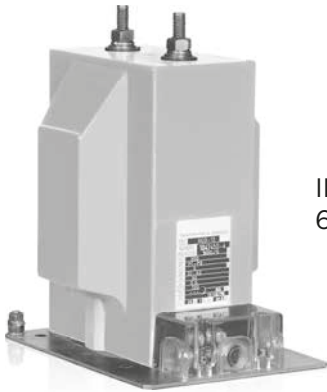
Drawing number: 4286137



Approximate dimensions in inches (mm).

ACD-17

15 kV CURRENT TRANSFORMER

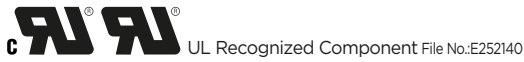


**INDOOR
60 Hertz**

ARTECHE AC/CID Series are dry type indoor service current transformers. The core is encapsulated with Type B epoxy resin which provides excellent internal dielectric properties and mechanical strength, ensuring a long mechanical and electrical life. The transformer is maintenance free.

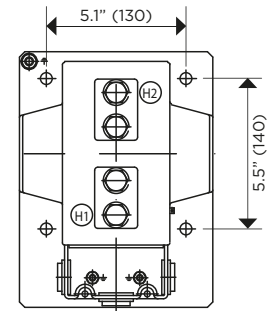
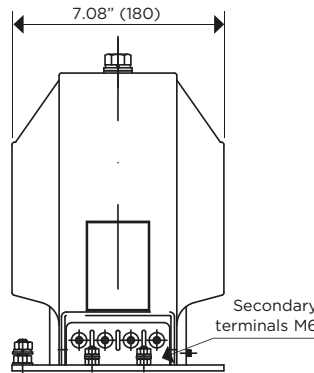
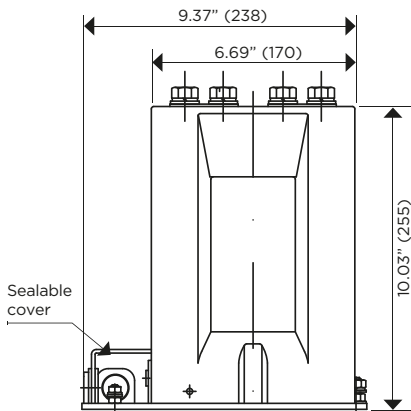
The core is built with high permeability grain oriented silicon steel laminations for low losses. The windings are copper wire with copper plate double isolation. The concentric distribution of the coils prevents magnetic flux leakage, achieving greater accuracy and higher capacity to withstand mechanical stresses in adverse operating conditions.

Partial Discharge measurements exceed the IEEE, CAN/CSA and IEC requirements.

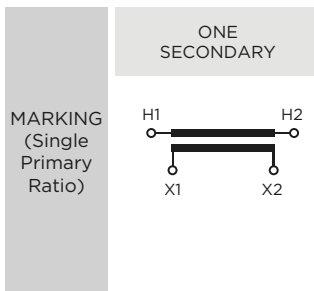


Mechanical characteristics

Insulation Material	Colors	Weight (lbs.)
Resin	Gray	35.3



Drawing number: 4286139



Approximate dimensions in inches (mm).

ACD-17

15 kV CURRENT TRANSFORMER

Electrical characteristics										
Code	Current Ratio (Primary: Secondary) (A)	Continuous Thermal Current Rating Factor @ 30°C	Short- time Thermal Current (kA/1s)	Short-time Mechanical Current (kA _{peak})	IEEE Metering Accuracy	Relay Accuracy	Nominal Voltage System (kV)	BIL (kV)	Power-Frequency Withstand Voltage (1 min)	
									Primary & Secondary (kV _{rms})	Secondary Winding (kV _{rms})
750491001	5:5	1.2	0.5	1	0.3 B-0.5	C-50	15	110	34	2.5
750491002	10:5	1.2	1	2	0.3 B-0.5	C-50	15	110	34	2.5
750491003	15:5	1.2	1.5	3	0.3 B-0.5	C-50	15	110	34	2.5
750491004	20:5	1.2	2	4	0.3 B-0.5	C-50	15	110	34	2.5
750491005	25:5	1.2	2.5	5	0.3 B-0.5	C-50	15	110	34	2.5
750491006	30:5	1.2	3	6	0.3 B-0.5	C-50	15	110	34	2.5
750491008	40:5	1.2	4	8	0.3 B-0.5	C-50	15	110	34	2.5
750491010	50:5	1.2	5	10	0.3 B-0.5	C-50	15	110	34	2.5
750491015	75:5	1.2	7.5	15	0.3 B-0.5	C-50	15	110	34	2.5
750491020	100:5	1.2	10	20	0.3 B-0.5	C-50	15	110	34	2.5
750491030	150:5	1.2	15	30	0.3 B-0.5	C-50	15	110	34	2.5
750491040	200:5	1.2	20	40	0.3 B-0.5	C-50	15	110	34	2.5
750491060	300:5	1.2	30	60	0.3 B-0.5	C-50	15	110	34	2.5
750491080	400:5	1.2	40	80	0.3 B-0.5	C-50	15	110	34	2.5
750491120	600:5	1.2	50	95	0.3 B-0.5	C-50	15	110	34	2.5
750491160	800:5	1.2	60	120	0.3 B-0.5	C-50	15	110	34	2.5
750491200	1000:5	1.2	75	135	0.3 B-0.5	C-50	15	110	34	2.5
750491240	1200:5	1.2	84	150	0.3 B-0.5	C-50	15	110	34	2.5

Additional ratings available upon request.

Notes:

.....

.....

.....

.....

.....

.....

.....

.....

.....

.....

.....

.....

.....

.....

.....

.....

.....

.....

.....

.....

.....

.....

.....

.....

ACH-17

15 kV CURRENT TRANSFORMER

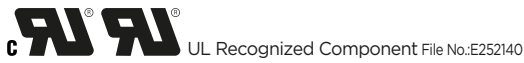


**INDOOR
60 Hertz**

ARTECHE AC/CID Series are dry type indoor service current transformers. The core is encapsulated with Type B epoxy resin which provides excellent internal dielectric properties and mechanical strength, ensuring a long mechanical and electrical life. The transformer is maintenance free.

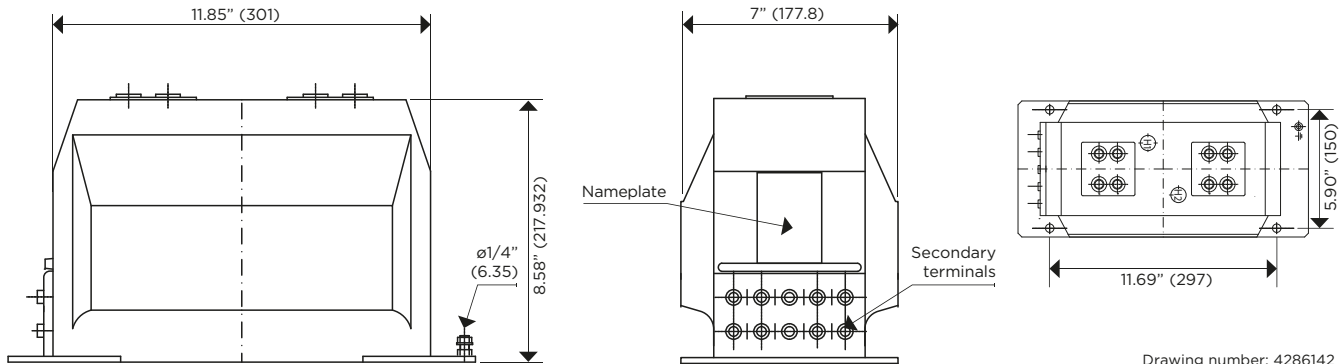
The core is built with high permeability grain oriented silicon steel laminations for low losses. The windings are copper wire with copper plate double isolation. The concentric distribution of the coils prevents magnetic flux leakage, achieving greater accuracy and higher capacity to withstand mechanical stresses in adverse operating conditions.

Partial Discharge measurements exceed the IEEE, CAN/CSA and IEC requirements.

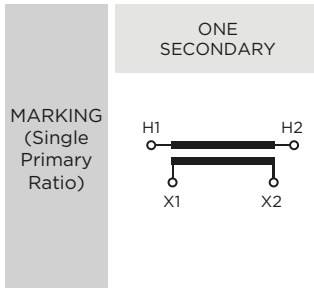


Mechanical characteristics

Insulation Material	Colors	Weight (lbs.)
Resin	Gray	63.8



Drawing number: 4286142



Approximate dimensions in inches (mm).

ACH-17

15 kV CURRENT TRANSFORMER

Electrical characteristics

Code	Current Ratio (Primary: Secondary) (A)	Continuous Thermal Current Rating Factor @ 30°C	Short-time Thermal Current (kA/1s)	Short-time Mechanical Current (kA _{peak})	IEEE Metering Accuracy	Relay Accuracy	Nominal Voltage System (kV)	BIL (kV)	Power-Frequency Withstand Voltage (1 min)	
									Primary & Secondary (kV _{rms})	Secondary Winding (kV _{rms})
750561010	50:5	1.2	5	10	0.3 B-0.5	C-50	15	110	34	2.5
750561015	75:5	1.2	7.5	15	0.3 B-0.5	C-50	15	110	34	2.5
750561020	100:5	1.2	10	20	0.3 B-0.5	C-50	15	110	34	2.5
750561030	150:5	1.2	15	30	0.3 B-1.0	C-50	15	110	34	2.5
750561040	200:5	1.2	20	40	0.3 B-1.0	C-50	15	110	34	2.5
750561060	300:5	1.2	30	60	0.3 B-1.0	C-50	15	110	34	2.5
750561080	400:5	1.2	40	80	0.3 B-1.8	C-100	15	110	34	2.5
750561120	600:5	1.2	50	95	0.3 B-1.8	C-100	15	110	34	2.5
750561160	800:5	1.2	60	120	0.3 B-1.8	C-100	15	110	34	2.5
750561200	1000:5	1.2	75	135	0.3 B-1.8	C-200	15	110	34	2.5
750561240	1200:5	1.2	84	150	0.3 B-1.8	C-200	15	110	34	2.5

Additional ratings available upon request.

Notes:

.....

.....

.....

.....

.....

.....

.....

.....

.....

.....

.....

.....

.....

.....

.....

.....

.....

.....

.....

.....

.....

.....

.....

.....

.....

ACI-17

15 kV CURRENT TRANSFORMER

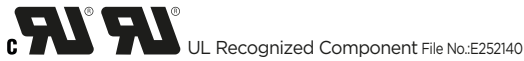


**INDOOR
60 Hertz**

ARTECHE AC/CID Series are dry type indoor service current transformers. The core is encapsulated with Type B epoxy resin which provides excellent internal dielectric properties and mechanical strength, ensuring a long mechanical and electrical life. The transformer is maintenance free.

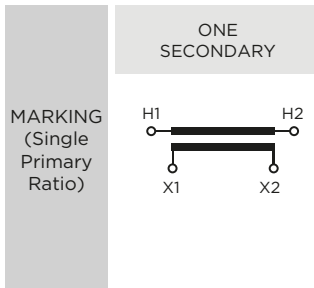
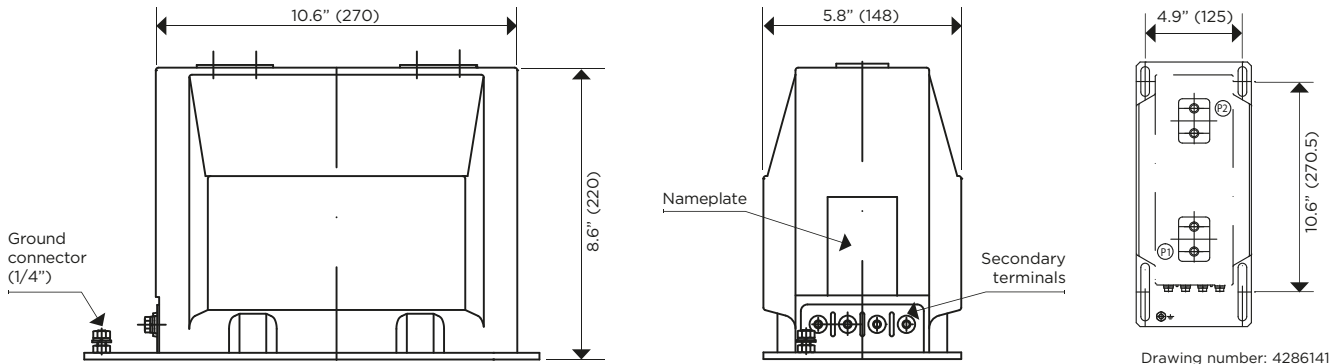
The core is built with high permeability grain oriented silicon steel laminations for low losses. The windings are copper wire with copper plate double isolation. The concentric distribution of the coils prevents magnetic flux leakage, achieving greater accuracy and higher capacity to withstand mechanical stresses in adverse operating conditions.

Partial Discharge measurements exceed the IEEE, CAN/CSA and IEC requirements.



Mechanical characteristics

Insulation Material	Colors	Weight (lbs.)
Resin	Gray	46.2



Approximate dimensions in inches (mm).

ACI-17

15 kV CURRENT TRANSFORMER

Electrical characteristics

Code	Current Ratio (Primary: Secondary) (A)	Continuous Thermal Current Rating Factor @ 30°C	Short- time Thermal Current (kA/1s)	Short-time Mechanical Current (kA _{peak})	IEEE Metering Accuracy	Relay Accuracy	Nominal Voltage System (kV)	BIL (kV)	Power-Frequency Withstand Voltage (1 min)	
									Primary & Secondary (kV _{rms})	Secondary Winding (kV _{rms})
750511010	50:5	1.2	5	10	0.3 B-0.5	C-50	15	110	34	2.5
750511015	75:5	1.2	7.5	15	0.3 B-0.5	C-50	15	110	34	2.5
750511020	100:5	1.2	10	20	0.3 B-0.5	C-50	15	110	34	2.5
750511030	150:5	1.2	15	30	0.3 B-0.5	C-50	15	110	34	2.5
750511040	200:5	1.2	20	40	0.3 B-0.5	C-50	15	110	34	2.5
750511060	300:5	1.2	30	60	0.3 B-0.5	C-50	15	110	34	2.5
750511080	400:5	1.2	40	80	0.3 B-0.5	C-50	15	110	34	2.5
750511120	600:5	1.2	50	95	0.3 B-0.9	C-50	15	110	34	2.5
750511160	800:5	1.2	60	120	0.3 B-0.9	C-50	15	110	34	2.5
750511200	1000:5	1.2	75	135	0.3 B-0.9	C-50	15	110	34	2.5
750511240	1200:5	1.2	84	150	0.3 B-0.9	C-100	15	110	34	2.5

Additional ratings available upon request.

Notes:

.....

.....

.....

.....

.....

.....

.....

.....

.....

.....

.....

.....

.....

.....

.....

.....

.....

.....

.....

.....

.....

.....

.....

CID-17

15 kV CURRENT TRANSFORMER



**INDOOR
60 Hertz**

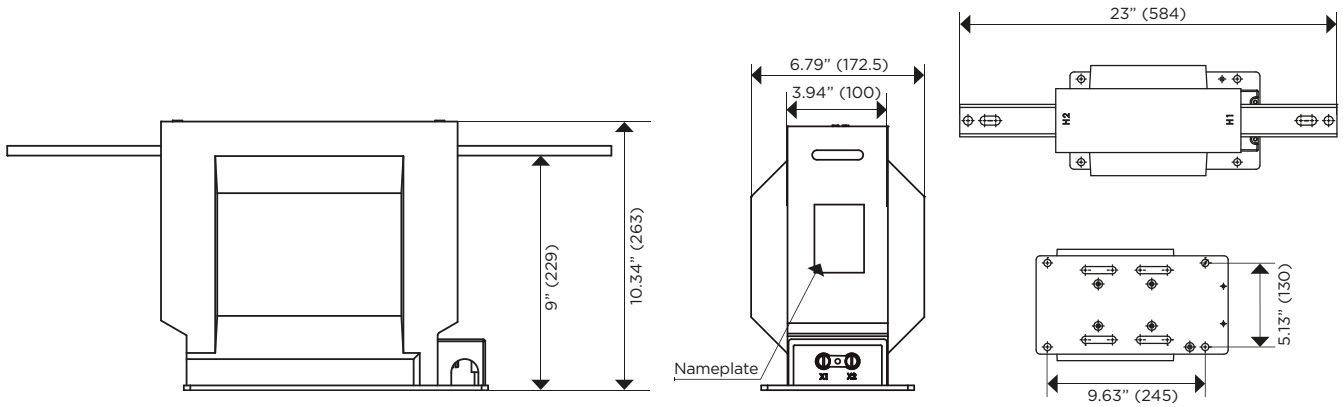
ARTECHE AC/CID Series are dry type indoor service current transformers. The core is encapsulated with Type B epoxy resin which provides excellent internal dielectric properties and mechanical strength, ensuring a long mechanical and electrical life. The transformer is maintenance free.

The core is built with high permeability grain oriented silicon steel laminations for low losses. The windings are copper wire with copper plate double isolation. The concentric distribution of the coils prevents magnetic flux leakage, achieving greater accuracy and higher capacity to withstand mechanical stresses in adverse operating conditions.

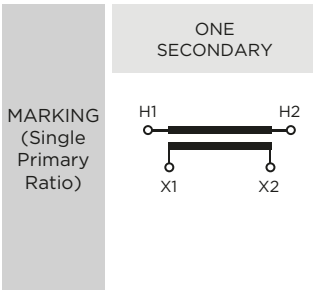
Partial Discharge measurements exceed the IEEE, CAN/CSA and IEC requirements.



Mechanical characteristics		
Insulation Material	Colors	Weight (lbs.)
Resin	Gray	55



Drawing number: 4287278



Approximate dimensions in inches (mm).

CID-17

15 kV CURRENT TRANSFORMER

Electrical characteristics										
Code	Current Ratio (Primary: Secondary) (A)	Continuous Thermal Current Rating Factor @ 30°C	Short-time Thermal Current (kA/1s)	Short-time Mechanical Current (kA _{peak})	IEEE Metering Accuracy	Relay Accuracy	Nominal Voltage System (kV)	BIL (kV)	Power-Frequency Withstand Voltage (1 min)	
									Primary & Secondary (kV _{rms})	Secondary Winding (kV _{rms})
750961001	5:5	1.5	0.5	1	0.3 B-1.8	C-200	15	110	34	2.5
750961002	10:5	1.5	1	2	0.3 B-1.8	C-200	15	110	34	2.5
750961003	15:5	1.5	1.5	3	0.3 B-1.8	C-200	15	110	34	2.5
750961004	20:5	1.5	2	4	0.3 B-1.8	C-200	15	110	34	2.5
750961005	25:5	1.5	2.5	5	0.3 B-1.8	C-200	15	110	34	2.5
750961006	30:5	1.5	3	6	0.3 B-1.8	C-200	15	110	34	2.5
750961008	40:5	1.5	4	8	0.3 B-1.8	C-200	15	110	34	2.5
750961010	50:5	1.5	5	10	0.3 B-1.8	C-200	15	110	34	2.5
750961015	75:5	1.5	7.5	15	0.3 B-1.8	C-200	15	110	34	2.5
750961020	100:5	1.5	10	20	0.3 B-1.8	C-200	15	110	34	2.5
750961030	150:5	1.5	15	30	0.3 B-1.8	C-200	15	110	34	2.5
750961040	200:5	1.5	20	40	0.3 B-1.8	C-200	15	110	34	2.5
750961060	300:5	1.5	30	60	0.3 B-1.8	C-200	15	110	34	2.5
750961080	400:5	1.5	40	80	0.3 B-1.8	C-200	15	110	34	2.5
750961120	600:5	1.5	50	95	0.3 B-1.8	C-200	15	110	34	2.5
750961160	800:5	1.5	60	120	0.3 B-1.8	C-200	15	110	34	2.5
750961200	1000:5	1.5	75	135	0.3 B-1.8	C-200	15	110	34	2.5
750961240	1200:5	1.2	84	150	0.3 B-1.8	C-200	15	110	34	2.5
750969001	5:5	1.5	0.5	1	0.15 B0.5	-	15	110	34	2.5
750969002	10:5	1.5	1	2	0.15 B0.5	-	15	110	34	2.5
750969003	15:5	1.5	1.5	3	0.15 B0.5	-	15	110	34	2.5
750969004	20:5	1.5	2	4	0.15 B0.5	-	15	110	34	2.5
750969005	25:5	1.5	2.5	5	0.15 B0.5	-	15	110	34	2.5
750969006	30:5	1.5	3	6	0.15 B0.5	-	15	110	34	2.5
750969008	40:5	1.5	4	8	0.15 B0.5	-	15	110	34	2.5
750969010	50:5	1.5	5	10	0.15 B0.5	-	15	110	34	2.5
750969015	75:5	1.5	7.5	15	0.15 B0.5	-	15	110	34	2.5
750969020	100:5	1.5	10	20	0.15 B0.5	-	15	110	34	2.5
750969030	150:5	1.5	15	30	0.15 B0.5	-	15	110	34	2.5
750969040	200:5	1.5	20	40	0.15 B0.5	-	15	110	34	2.5
750969060	300:5	1.5	30	60	0.15 B0.5	-	15	110	34	2.5
750969080	400:5	1.5	40	80	0.15 B0.5	-	15	110	34	2.5
750969120	600:5	1.5	50	95	0.15 B0.5	-	15	110	34	2.5
750969160	800:5	1.5	60	120	0.15 B0.5	-	15	110	34	2.5
750969200	1000:5	1.5	75	135	0.15 B0.5	-	15	110	34	2.5
750969240	1200:5	1.2	84	150	0.15 B0.5	-	15	110	34	2.5

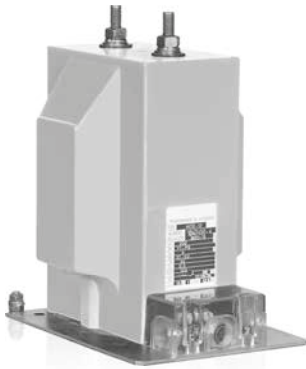
Additional ratings available upon request.

Electrical characteristics										
Code	Current Ratio (Primary: Secondary) (A)	Continuous Thermal Current Rating Factor @ 30°C	Short- time Thermal Current (kA/1s)	Short-time Mechanical Current (kA _{peak})	IEEE Metering Accuracy	Relay Accuracy	Nominal Voltage System (kV)	BIL (kV)	Power-Frequency Withstand Voltage (1 min)	
									Primary & Secondary (kV _{rms})	Secondary Winding (kV _{rms})
High Accuracy Extended Range 5% nominal current to Rating Factor										
750967001	5:5	1.5	0.5	1	0.15S B0.5	-	15	110	34	2.5
750967002	10:5	1.5	1	2	0.15S B0.5	-	15	110	34	2.5
750967003	15:5	1.5	1.5	3	0.15S B0.5	-	15	110	34	2.5
750967004	20:5	1.5	2	4	0.15S B0.5	-	15	110	34	2.5
750967005	25:5	1.5	2.5	5	0.15S B0.5	-	15	110	34	2.5
750967006	30:5	1.5	3	6	0.15S B0.5	-	15	110	34	2.5
750967008	40:5	1.5	4	8	0.15S B0.5	-	15	110	34	2.5
750967010	50:5	1.5	5	10	0.15S B0.5	-	15	110	34	2.5
750967015	75:5	1.5	7.5	15	0.15S B0.5	-	15	110	34	2.5
750967020	100:5	1.5	10	20	0.15S B0.5	-	15	110	34	2.5
750967030	150:5	1.5	15	30	0.15S B0.5	-	15	110	34	2.5
750967040	200:5	1.5	20	40	0.15S B0.5	-	15	110	34	2.5
750967060	300:5	1.5	30	60	0.15S B0.5	-	15	110	34	2.5
750967080	400:5	1.5	40	80	0.15S B0.5	-	15	110	34	2.5
750967120	600:5	1.5	50	95	0.15S B0.5	-	15	110	34	2.5
750967160	800:5	1.5	60	120	0.15S B0.5	-	15	110	34	2.5
750967200	1000:5	1.5	75	135	0.15S B0.5	-	15	110	34	2.5
750967240	1200:5	1.2	84	150	0.15S B0.5	-	15	110	34	2.5
High Accuracy Extended Range 1% nominal current to Rating Factor										
750968040	200:5	2.0	20	40	0.15 B-1.8	-	15	110	34	2.5
750968120	600:5	2.0	50	95	0.15 B-1.8	-	15	110	34	2.5
750968200	1000:5	1.5	75	135	0.15 B-1.8	-	15	110	34	2.5
750968240	1200:5	1.2	84	150	0.15 B-1.8	-	15	110	34	2.5

Additional ratings available upon request.

ACD-24

25 kV CURRENT TRANSFORMER



**INDOOR
60 Hertz**

ARTECHE AC/CID Series are dry type indoor service current transformers. The core is encapsulated with Type B epoxy resin which provides excellent internal dielectric properties and mechanical strength, ensuring a long mechanical and electrical life. The transformer is maintenance free.

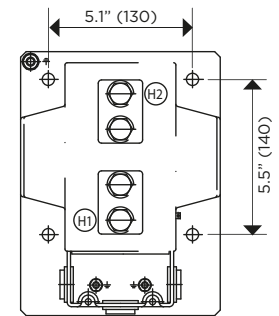
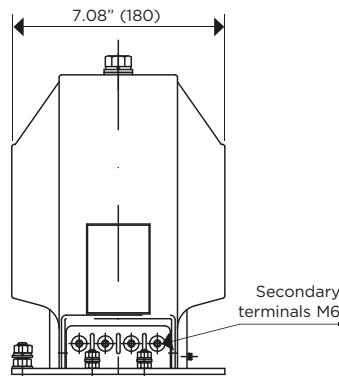
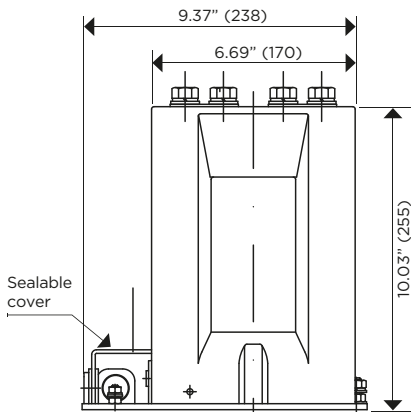
The core is built with high permeability grain oriented silicon steel laminations for low losses. The windings are copper wire with copper plate double isolation. The concentric distribution of the coils prevents magnetic flux leakage, achieving greater accuracy and higher capacity to withstand mechanical stresses in adverse operating conditions.

Partial Discharge measurements exceed the IEEE, CAN/CSA and IEC requirements.

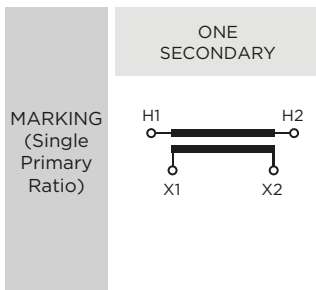
UL UL Recognized Component File No.:E252140

Mechanical characteristics

Insulation Material	Colors	Weight (lbs.)
Resin	Gray	35.3



Drawing number: 4286140



Approximate dimensions in inches (mm).

ACD-24

25 kV CURRENT TRANSFORMER

Electrical characteristics										
Code	Current Ratio (Primary: Secondary) (A)	Continuous Thermal Current Rating Factor @ 30°C	Short-time Thermal Current (kA/1s)	Short-time Mechanical Current (kA _{peak})	IEEE Metering Accuracy	Relay Accuracy	Nominal Voltage System (kV)	BIL (kV)	Power-Frequency Withstand Voltage (1 min)	
									Primary & Secondary (kV _{rms})	Secondary Winding (kV _{rms})
750681001	5:5	1.2	0.5	1	0.3 B-0.5	C-50	25	150	50	2.5
750681002	10:5	1.2	1	2	0.3 B-0.5	C-50	25	150	50	2.5
750681003	15:5	1.2	1.5	3	0.3 B-0.5	C-50	25	150	50	2.5
750681004	20:5	1.2	2	4	0.3 B-0.5	C-50	25	150	50	2.5
750681005	25:5	1.2	2.5	5	0.3 B-0.5	C-50	25	150	50	2.5
750681006	30:5	1.2	3	6	0.3 B-0.5	C-50	25	150	50	2.5
750681008	40:5	1.2	4	8	0.3 B-0.5	C-50	25	150	50	2.5
750681010	50:5	1.2	5	10	0.3 B-0.5	C-50	25	150	50	2.5
750681015	75:5	1.2	7.5	15	0.3 B-0.5	C-50	25	150	50	2.5
750681020	100:5	1.2	10	20	0.3 B-0.5	C-50	25	150	50	2.5
750681030	150:5	1.2	15	30	0.3 B-0.5	C-50	25	150	50	2.5
750681040	200:5	1.2	20	40	0.3 B-0.5	C-50	25	150	50	2.5
750681060	300:5	1.2	30	60	0.3 B-0.5	C-50	25	150	50	2.5
750681080	400:5	1.2	40	80	0.3 B-0.5	C-50	25	150	50	2.5
750681120	600:5	1.2	50	95	0.3 B-0.5	C-50	25	150	50	2.5
750681160	800:5	1.2	60	120	0.3 B-0.5	C-50	25	150	50	2.5
750681200	1000:5	1.2	75	135	0.3 B-0.5	C-50	25	150	50	2.5
750681240	1200:5	1.2	84	150	0.3 B-0.5	C-50	25	150	50	2.5

Additional ratings available upon request.

Notes:

.....

.....

.....

.....

.....

.....

.....

.....

.....

.....

.....

.....

.....

.....

.....

.....

.....

.....

.....

.....

.....

.....

ACH-24

25 kV CURRENT TRANSFORMER

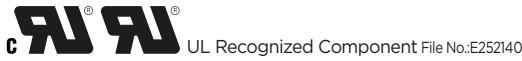


**INDOOR
60 Hertz**

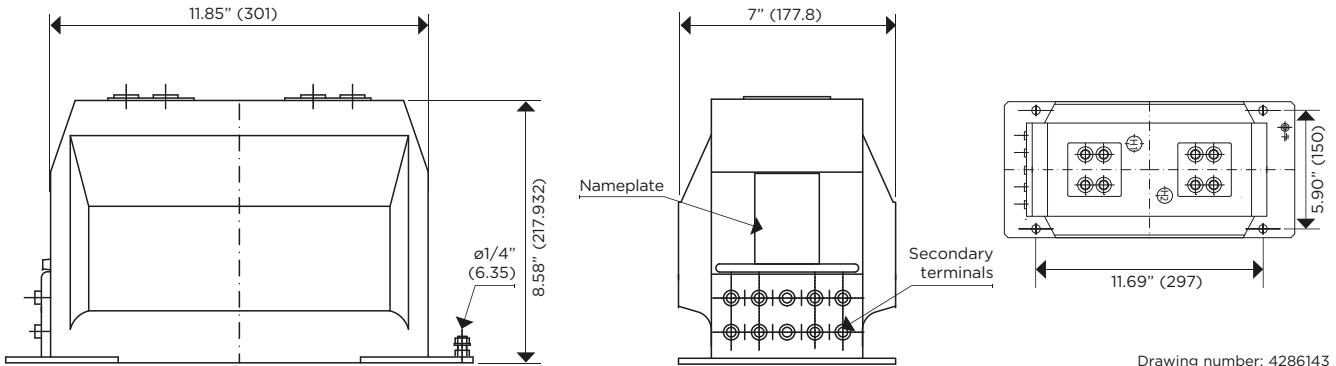
ARTECHE AC/CID Series are dry type indoor service current transformers. The core is encapsulated with Type B epoxy resin which provides excellent internal dielectric properties and mechanical strength, ensuring a long mechanical and electrical life. The transformer is maintenance free.

The core is built with high permeability grain oriented silicon steel laminations for low losses. The windings are copper wire with copper plate double isolation. The concentric distribution of the coils prevents magnetic flux leakage, achieving greater accuracy and higher capacity to withstand mechanical stresses in adverse operating conditions.

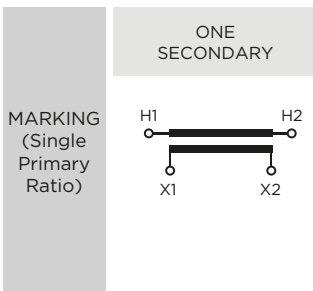
Partial Discharge measurements exceed the IEEE, CAN/CSA and IEC requirements.



Mechanical characteristics		
Insulation Material	Colors	Weight (lbs.)
Resin	Gray	63.8



Drawing number: 4286143



Approximate dimensions in inches (mm).

ACH-24

25 kV CURRENT TRANSFORMER

Electrical characteristics

Code	Current Ratio (Primary: Secondary) (A)	Continuous Thermal Current Rating Factor @ 30°C	Short- time Thermal Current (kA/1s)	Short-time Mechanical Current (kA _{peak})	IEEE Metering Accuracy	Relay Accuracy	Nominal Voltage System (kV)	BIL (kV)	Power-Frequency Withstand Voltage (1 min)	
									Primary & Secondary (kV _{rms})	Secondary Winding (kV _{rms})
750741015	75:5	1.2	7.5	15	0.3 B-0.5	C-50	25	150	50	2.5
750741020	100:5	1.2	10	20	0.3 B-0.5	C-50	25	150	50	2.5
750741030	150:5	1.2	15	30	0.3 B-0.5	C-50	25	150	50	2.5
750741040	200:5	1.2	20	40	0.3 B-1.0	C-50	25	150	50	2.5
750741060	300:5	1.2	30	60	0.3 B-1.0	C-50	25	150	50	2.5
750741080	400:5	1.2	40	80	0.3 B-1.0	C-50	25	150	50	2.5
750741120	600:5	1.2	50	95	0.3 B-1.8	C-100	25	150	50	2.5
750741160	800:5	1.2	60	120	0.3 B-1.8	C-100	25	150	50	2.5
750741200	1000:5	1.2	75	135	0.3 B-1.8	C-200	25	150	50	2.5
750741240	1200:5	1.2	84	150	0.3 B-1.8	C-200	25	150	50	2.5
High Accuracy Extended Range 1% nominal current to Rating Factor										
750746040	200:5	2.0	20	40	0.15 B-1.8	-	25	150	50	2.5
750746120	600:5	1.2	75	135	0.15 B-1.8	-	25	150	50	2.5
750746200	1000:5	1.2	75	135	0.15 B-1.8	-	25	150	50	2.5
750746240	1200:5	1.2	75	135	0.15 B-1.8	-	25	150	50	2.5

Additional ratings available upon request.

Notes:

.....

.....

.....

.....

.....

.....

.....

.....

.....

.....

.....

.....

.....

.....

.....

.....

.....

.....

.....

.....

.....

ACA-36

34.5 kV CURRENT TRANSFORMER



**INDOOR
60 Hertz**

ARTECHE AC/CID Series are dry type indoor service current transformers. The core is encapsulated with Type B epoxy resin which provides excellent internal dielectric properties and mechanical strength, ensuring a long mechanical and electrical life. The transformer is maintenance free.

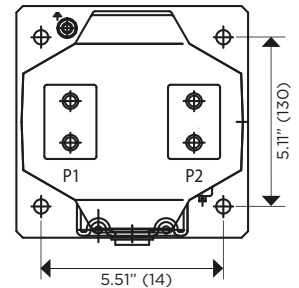
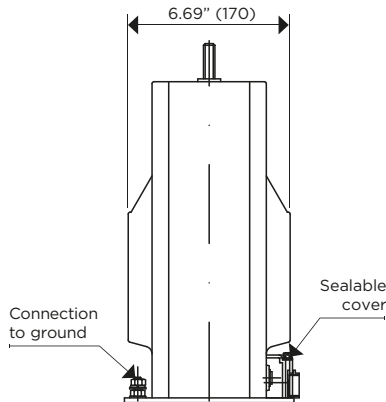
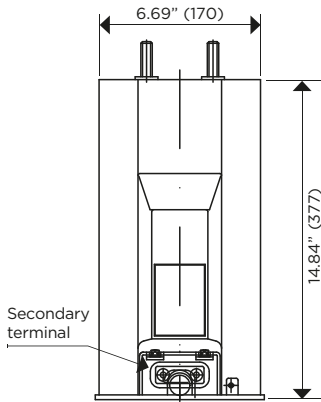
The core is built with high permeability grain oriented silicon steel laminations for low losses. The windings are copper wire with copper plate double isolation. The concentric distribution of the coils prevents magnetic flux leakage, achieving greater accuracy and higher capacity to withstand mechanical stresses in adverse operating conditions.

Partial Discharge measurements exceed the IEEE, CAN/CSA and IEC requirements.

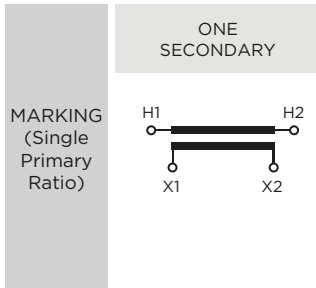
UL UL Recognized Component File No.:E252140

Mechanical characteristics

Insulation Material	Colors	Weight (lbs.)
Resin	Gray	35.3



Drawing number: 4286144



Approximate dimensions in inches (mm).

ACA-36

34.5 kV CURRENT TRANSFORMER

Electrical characteristics										
Code	Current Ratio (Primary: Secondary) (A)	Continuous Thermal Current Rating Factor @ 30°C	Short- time Thermal Current (kA/1s)	Short-time Mechanical Current (kA _{peak})	IEEE Metering Accuracy	Relay Accuracy	Nominal Voltage System (kV)	BIL (kV)	Power-Frequency Withstand Voltage (1 min)	
									Primary & Secondary (kV _{rms})	Secondary Winding (kV _{rms})
75111001	5:5	1.2	0.5	1	0.3 B-0.5	C-50	34.5	200	70	2.5
75111002	10:5	1.2	1	2	0.3 B-0.5	C-50	34.5	200	70	2.5
75111003	15:5	1.2	1.5	3	0.3 B-0.5	C-50	34.5	200	70	2.5
75111004	20:5	1.2	2	4	0.3 B-0.5	C-50	34.5	200	70	2.5
75111005	25:5	1.2	2.5	5	0.3 B-0.5	C-50	34.5	200	70	2.5
75111006	30:5	1.2	3	6	0.3 B-0.5	C-50	34.5	200	70	2.5
75111008	40:5	1.2	4	8	0.3 B-0.5	C-50	34.5	200	70	2.5
75111010	50:5	1.2	5	10	0.3 B-0.5	C-50	34.5	200	70	2.5
75111015	75:5	1.2	7.5	15	0.3 B-0.5	C-50	34.5	200	70	2.5
75111020	100:5	1.2	10	20	0.3 B-0.5	C-50	34.5	200	70	2.5
75111030	150:5	1.2	15	30	0.3 B-0.5	C-50	34.5	200	70	2.5
75111040	200:5	1.2	20	40	0.3 B-0.5	C-50	34.5	200	70	2.5
75111060	300:5	1.2	30	60	0.3 B-0.5	C-50	34.5	200	70	2.5
75111080	400:5	1.2	40	80	0.3 B-0.5	C-50	34.5	200	70	2.5
75111120	600:5	1.2	50	95	0.3 B-0.5	C-50	34.5	200	70	2.5
75111160	800:5	1.2	60	120	0.3 B-0.5	C-50	34.5	200	70	2.5
75111200	1000:5	1.2	75	135	0.3 B-0.5	C-50	34.5	200	70	2.5
75111240	1200:5	1.2	84	150	0.3 B-0.5	C-50	34.5	200	70	2.5

Additional ratings available upon request.

Notes:

.....

.....

.....

.....

.....

.....

.....

.....

.....

.....

.....

.....

.....

.....

.....

.....

.....

.....

.....

.....

.....

.....

ACF-36

34.5 kV CURRENT TRANSFORMER



**INDOOR
60 Hertz**

ARTECHE AC/CID Series are dry type indoor service current transformers. The core is encapsulated with Type B epoxy resin which provides excellent internal dielectric properties and mechanical strength, ensuring a long mechanical and electrical life. The transformer is maintenance free.

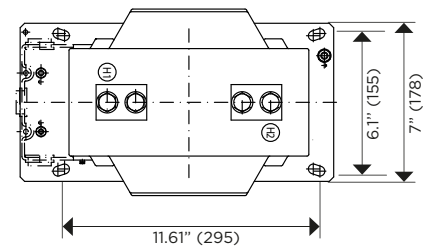
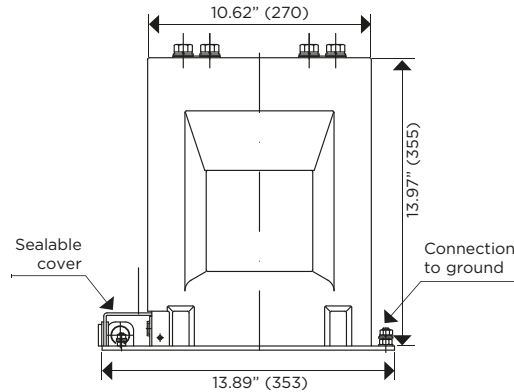
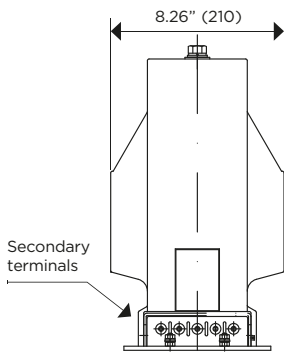
The core is built with high permeability grain oriented silicon steel laminations for low losses. The windings are copper wire with copper plate double isolation. The concentric distribution of the coils prevents magnetic flux leakage, achieving greater accuracy and higher capacity to withstand mechanical stresses in adverse operating conditions.

Partial Discharge measurements exceed the IEEE, CAN/CSA and IEC requirements.



Mechanical characteristics

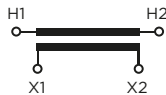
Insulation Material	Colors	Weight (lbs.)
Resin	Gray	79.4



Drawing number: 4286145

ONE
SECONDARY

MARKING
(Single
Primary
Ratio)



Approximate dimensions in inches (mm).

ACF-36

34.5 kV CURRENT TRANSFORMER

Electrical characteristics

Code	Current Ratio (Primary: Secondary) (A)	Continuous Thermal Current Rating Factor @ 30°C	Short- time Thermal Current (kA/1s)	Short-time Mechanical Current (kA _{peak})	IEEE Metering Accuracy	Relay Accuracy	Nominal Voltage System (kV)	BIL (kV)	Power-Frequency Withstand Voltage (1 min)	
									Primary & Secondary (kV _{rms})	Secondary Winding (kV _{rms})
751161001	5:5	1.2	0.5	1	0.3 B-1.8	C-100	34.5	200	70	2.5
751161002	10:5	1.2	1	2	0.3 B-1.8	C-100	34.5	200	70	2.5
751161003	15:5	1.2	1.5	3	0.3 B-1.8	C-100	34.5	200	70	2.5
751161004	20:5	1.2	2	4	0.3 B-1.8	C-100	34.5	200	70	2.5
751161005	25:5	1.2	2.5	5	0.3 B-1.8	C-100	34.5	200	70	2.5
751161006	30:5	1.2	3	6	0.3 B-1.8	C-100	34.5	200	70	2.5
751161008	40:5	1.2	4	8	0.3 B-1.8	C-100	34.5	200	70	2.5
751161010	50:5	1.2	5	10	0.3 B-1.8	C-100	34.5	200	70	2.5
751161015	75:5	1.2	7.5	15	0.3 B-1.8	C-100	34.5	200	70	2.5
751161020	100:5	1.2	10	20	0.3 B-1.8	C-100	34.5	200	70	2.5
751161030	150:5	1.2	15	30	0.3 B-1.8	C-100	34.5	200	70	2.5
751161040	200:5	1.2	20	40	0.3 B-1.8	C-100	34.5	200	70	2.5
751161060	300:5	1.2	30	60	0.3 B-1.8	C-100	34.5	200	70	2.5
751161080	400:5	1.2	40	80	0.3 B-1.8	C-100	34.5	200	70	2.5
751161120	600:5	1.2	50	95	0.3 B-1.8	C-100	34.5	200	70	2.5
751161160	800:5	1.2	60	120	0.3 B-1.8	C-100	34.5	200	70	2.5
751161200	1000:5	1.2	75	135	0.3 B-1.8	C-100	34.5	200	70	2.5
751161240	1200:5	1.2	84	150	0.3 B-1.8	C-200	34.5	200	70	2.5

Additional ratings available upon request.

Notes:

.....

.....

.....

.....

.....

.....

.....

.....

.....

.....

.....

.....

.....

.....

.....

.....

.....

.....

.....

.....

.....

.....

.....

KCB-17

15 kV COMBINED TRANSFORMER



KCB 200 A

KCB 600 A

INDOOR
60 Hertz

ARTECHE KCB series are dry type indoor service dead-front combination CT-PT

The core is encapsulated with Type B epoxy resin which provides excellent internal dielectric properties and mechanical strength, ensuring a long mechanical and electrical life. The transformer is maintenance free.

The entire surface of the transformer is coated with a conductive layer that is intended to be solidly grounded when energized. This allows for compact mounting inside switchgear or enclosures.

The core is built with high permeability grain oriented silicon steel laminations for low losses. The windings are copper wire with copper plate double isolation. The concentric distribution of the coils prevents magnetic flux leakage, achieving greater accuracy and higher capacity to withstand mechanical stresses in adverse operating conditions.

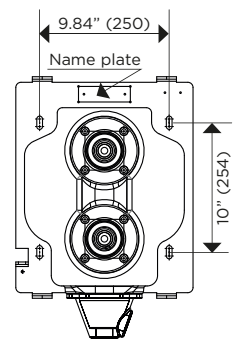
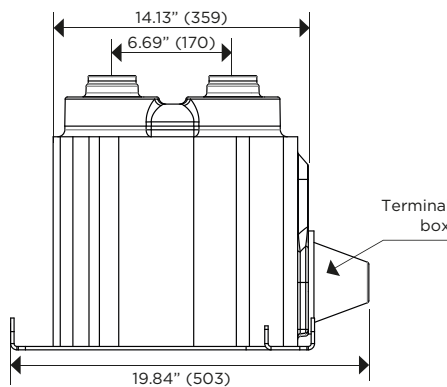
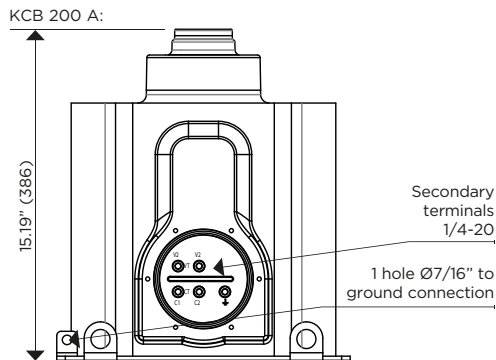
Partial Discharge measurements exceed the IEEE, CAN/CSA and IEC requirements.

The primary terminals are standard 200 or 600 Ampere rated dead-front bushing well and can be connected using IEEE 368 standard inserts and elbow connectors.

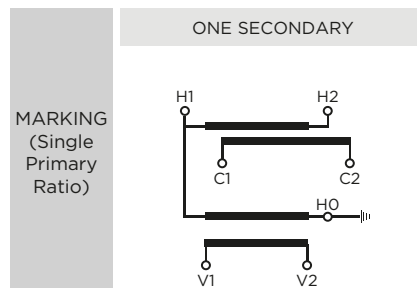
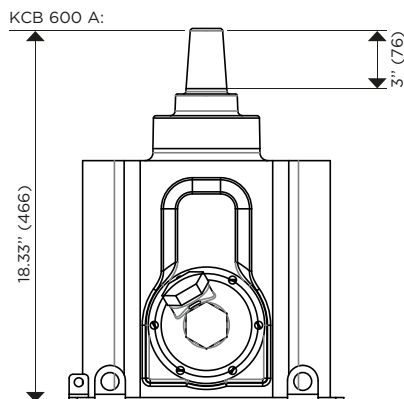
The secondary terminals are 1/4" slotted screws with flat and lock washers located inside a metallic terminal cover with two 1" NPT conduit hubs. The ground terminal is provided inside the terminal cover along with a manually operated CT secondary shorting device for safety purposes.

Mechanical characteristics

Insulation Material	Colors	Weight (lbs.)
Metallized resin	Gray	150



Drawing number: 4286592 (200 A) / 4287655 (600 A)



Approximate dimensions in inches (mm).

KCB-17

15 kV COMBINED TRANSFORMER

Electrical characteristics											
Code	Current Ratio (Primary: Secondary)	Continuous Thermal Current Rating Factor @ 30°C	Short- time Thermal Current (kA/1s)	Short-time Mechanical Current (kA _{peak})	IEEE Metering Accuracy [Current Transformer]	IEEE Metering Accuracy [Voltage Transformer]	Nominal Voltage System (kV)	BIL (kV)	Power-Frequency Withstand Voltage (1 min)		Primary Terminals
									Power frequency applied voltage test (kV rms)	Power frequency secondary applied voltage test (kV rms)	
770034011	5:5	2.0	0.5	1.25	0.3 B-0.5	0.3 W,X,M,Y/1.2Z	15	95	34	2.5	200 A Bushing Well Interface
770034021	10:5	2.0	1	2.5	0.3 B-0.5	0.3 W,X,M,Y/1.2Z	15	95	34	2.5	200 A Bushing Well Interface
770034031	15:5	2.0	1.5	3.75	0.3 B-0.5	0.3 W,X,M,Y/1.2Z	15	95	34	2.5	200 A Bushing Well Interface
770034041	20:5	2.0	2	5	0.3 B-0.5	0.3 W,X,M,Y/1.2Z	15	95	34	2.5	200 A Bushing Well Interface
770034051	25:5	2.0	2.5	6.25	0.3 B-0.5	0.3 W,X,M,Y/1.2Z	15	95	34	2.5	200 A Bushing Well Interface
770034061	30:5	2.0	3	7.5	0.3 B-0.5	0.3 W,X,M,Y/1.2Z	15	95	34	2.5	200 A Bushing Well Interface
770034081	40:5	2.0	4	10	0.3 B-0.5	0.3 W,X,M,Y/1.2Z	15	95	34	2.5	200 A Bushing Well Interface
770034101	50:5	2.0	5	12.5	0.3 B-0.5	0.3 W,X,M,Y/1.2Z	15	95	34	2.5	200 A Bushing Well Interface
770034151	75:5	2.0	7.5	18.75	0.3 B-0.5	0.3 W,X,M,Y/1.2Z	15	95	34	2.5	200 A Bushing Well Interface
770034201	100:5	2.0	10	25	0.3 B-0.5	0.3 W,X,M,Y/1.2Z	15	95	34	2.5	200 A Bushing Well Interface
770035301	150:5	1.33	10	25	0.3 B-0.5	0.3 W,X,M,Y/1.2Z	15	95	34	2.5	200 A Bushing Well Interface
770035401	200:5	1.0	10	25	0.3 B-0.5	0.3 W,X,M,Y/1.2Z	15	95	34	2.5	200 A Bushing Well Interface
770031131	300:5	1.5	30	75	0.3 B-0.5	0.3 W,X,M,Y/1.2Z	15	95	34	2.5	600 A Dead break Interface 15.2kV
770031141	400:5	1.5	40	100	0.3 B-0.5	0.3 W,X,M,Y/1.2Z	15	95	34	2.5	600 A Dead break Interface 15.2kV
770031251	600:5	1.0	60	150	0.3 B-0.5	0.3 W,X,M,Y/1.2Z	15	95	34	2.5	600 A Dead break Interface 15.2kV
770031101	100:5	2.0	10	25	0.15 B-0.5*	0.3 W,X,M,Y/1.2Z	15	95	34	2.5	200 A Bushing Well Interface
770031121	200:5	2.0	20	50	0.15 B-0.5*	0.3 W,X,M,Y/1.2Z	15	95	34	2.5	600 A Dead break Interface 15.2kV
770031151	600:5	1.0	48	120	0.15 B-0.5*	0.3 W,X,M,Y/1.2Z	15	95	34	2.5	600 A Dead break Interface 15.2kV

* Accuracy range: 1% to RF

Voltage Ratings					
VT Ratio	Primary (V)	Secondary (V)	Thermal Burden (VA)	Continuous Rated Voltage Factor (Un)	Rated Voltage Factor 30s (Un)
60:1	7200/12470GY	120	750	1.1	1.25

Additional VT ratios are available. Please contact Artech for details.

Notes:

.....

.....

.....

.....

.....

.....

.....

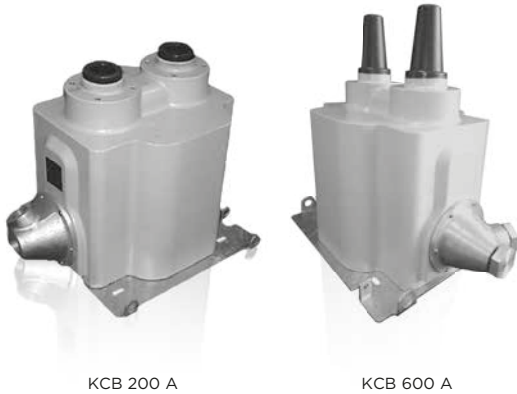
.....

.....

.....

KCB-24

25 kV COMBINED TRANSFORMER



INDOOR
60 Hertz

ARTECHE KCB series are dry type indoor service dead-front combination CT-PT.

The core is encapsulated with Type B epoxy resin which provides excellent internal dielectric properties and mechanical strength, ensuring a long mechanical and electrical life. The transformer is maintenance free.

The entire surface of the transformer is coated with a conductive layer that is intended to be solidly grounded when energized. This allows for compact mounting inside switchgear or enclosures.

The core is built with high permeability grain oriented silicon steel laminations for low losses. The windings are copper wire with copper plate double isolation. The concentric distribution of the coils prevents magnetic flux leakage, achieving greater accuracy and higher capacity to withstand mechanical stresses in adverse operating conditions.

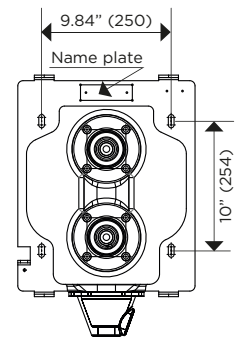
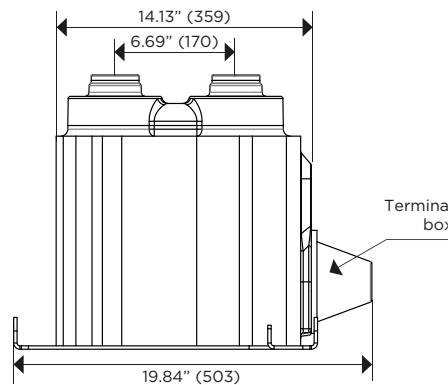
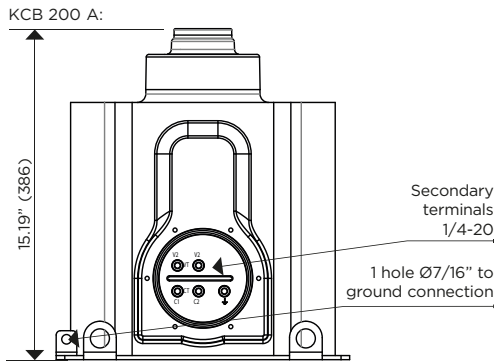
Partial Discharge measurements exceed the IEEE, CAN/CSA and IEC requirements.

The primary terminals are standard 200 or 600 Ampere rated dead-front bushing well and can be connected using IEEE 368 standard inserts and elbow connectors.

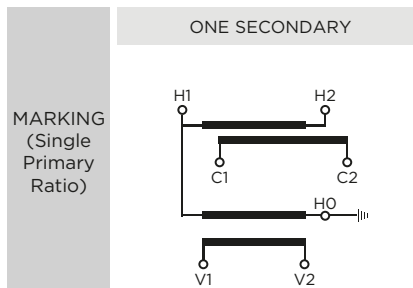
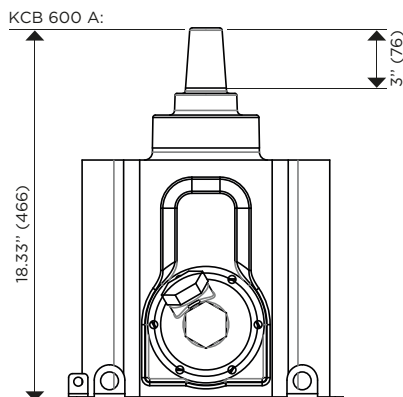
The secondary terminals are 1/4" slotted screws with flat and lock washers located inside a metallic terminal cover with two 1" NPT conduit hubs. The ground terminal is provided inside the terminal cover along with a manually operated CT secondary shorting device for safety purposes.

Mechanical characteristics

Insulation Material	Colors	Weight (lbs.)
Metallized resin	Gray	150



Drawing number: 9449854 (200 A) / 4287736 (600 A)



Approximate dimensions in inches (mm).

KCB-24

25 kV COMBINED TRANSFORMER

Electrical characteristics											
Code	Current Ratio (Primary: Secondary)	Continuous Thermal Current Rating Factor @ 30°C	Short- time Thermal Current (kA/1s)	Short-time Mechanical Current (kA _{peak})	IEEE Metering Accuracy [Current Transformer]	IEEE Metering Accuracy [Voltage Transformer]	Nominal Voltage System (kV)	BIL (kV)	Power-Frequency Withstand Voltage (1 min)		Primary Terminals
									Power frequency applied voltage test (kV rms)	Power frequency secondary applied voltage test (kV rms)	
770104016	5:5	2.0	0.5	1.25	0.3 B-0.5	0.3 W,X,M,Y/1.2Z	25	125	50	2.5	200 A Bushing Well Interface
770104026	10:5	2.0	1	2.5	0.3 B-0.5	0.3 W,X,M,Y/1.2Z	25	125	50	2.5	200 A Bushing Well Interface
770104036	15:5	2.0	1.5	3.75	0.3 B-0.5	0.3 W,X,M,Y/1.2Z	25	125	50	2.5	200 A Bushing Well Interface
770104046	20:5	2.0	2	5	0.3 B-0.5	0.3 W,X,M,Y/1.2Z	25	125	50	2.5	200 A Bushing Well Interface
770104056	25:5	2.0	2.5	6.25	0.3 B-0.5	0.3 W,X,M,Y/1.2Z	25	125	50	2.5	200 A Bushing Well Interface
770104066	30:5	2.0	3	7.5	0.3 B-0.5	0.3 W,X,M,Y/1.2Z	25	125	50	2.5	200 A Bushing Well Interface
770104086	40:5	2.0	4	10	0.3 B-0.5	0.3 W,X,M,Y/1.2Z	25	125	50	2.5	200 A Bushing Well Interface
770104106	50:5	2.0	5	12.5	0.3 B-0.5	0.3 W,X,M,Y/1.2Z	25	125	50	2.5	200 A Bushing Well Interface
770104156	75:5	2.0	7.5	18.75	0.3 B-0.5	0.3 W,X,M,Y/1.2Z	25	125	50	2.5	200 A Bushing Well Interface
770104206	100:5	2.0	10	25	0.3 B-0.5	0.3 W,X,M,Y/1.2Z	25	125	50	2.5	200 A Bushing Well Interface
770105306	150:5	1.33	10	25	0.3 B-0.5	0.3 W,X,M,Y/1.2Z	25	125	50	2.5	200 A Bushing Well Interface
770105406	200:5	1.0	10	25	0.3 B-0.5	0.3 W,X,M,Y/1.2Z	25	125	50	2.5	200 A Bushing Well Interface
770101136	300:5	1.5	30	75	0.3 B-0.5	0.3 W,X,M,Y/1.2Z	25	125	50	2.5	600 A Dead break Interface 21.1kV
770101146	400:5	1.5	40	100	0.3 B-0.5	0.3 W,X,M,Y/1.2Z	25	125	50	2.5	600 A Dead break Interface 21.1kV
770101256	600:5	1.0	60	150	0.3 B-0.5	0.3 W,X,M,Y/1.2Z	25	125	50	2.5	600 A Dead break Interface 21.1kV
770101106	100:5	2.0	10	25	0.15 B-0.5*	0.3 W,X,M,Y/1.2Z	25	125	50	2.5	200 A Bushing Well Interface
770101126	200:5	2.0	20	50	0.15 B-0.5*	0.3 W,X,M,Y/1.2Z	25	125	50	2.5	600 A Dead break Interface 21.1kV
770101156	600:5	1.0	48	120	0.15 B-0.5*	0.3 W,X,M,Y/1.2Z	25	125	50	2.5	600 A Dead break Interface 21.1kV

* Accuracy range: 1% to RF

Voltage Ratings					
VT Ratio	Primary (V)	Secondary (V)	Thermal Burden (VA)	Continuous Rated Voltage Factor (Un)	Rated Voltage Factor 30s (Un)
120:1	14400/24940GY	120	750	1.1	1.25

Additional VT ratios are available. Please contact Artech for details.

Notes:

.....

.....

.....

.....

.....

.....

.....

.....

.....

.....