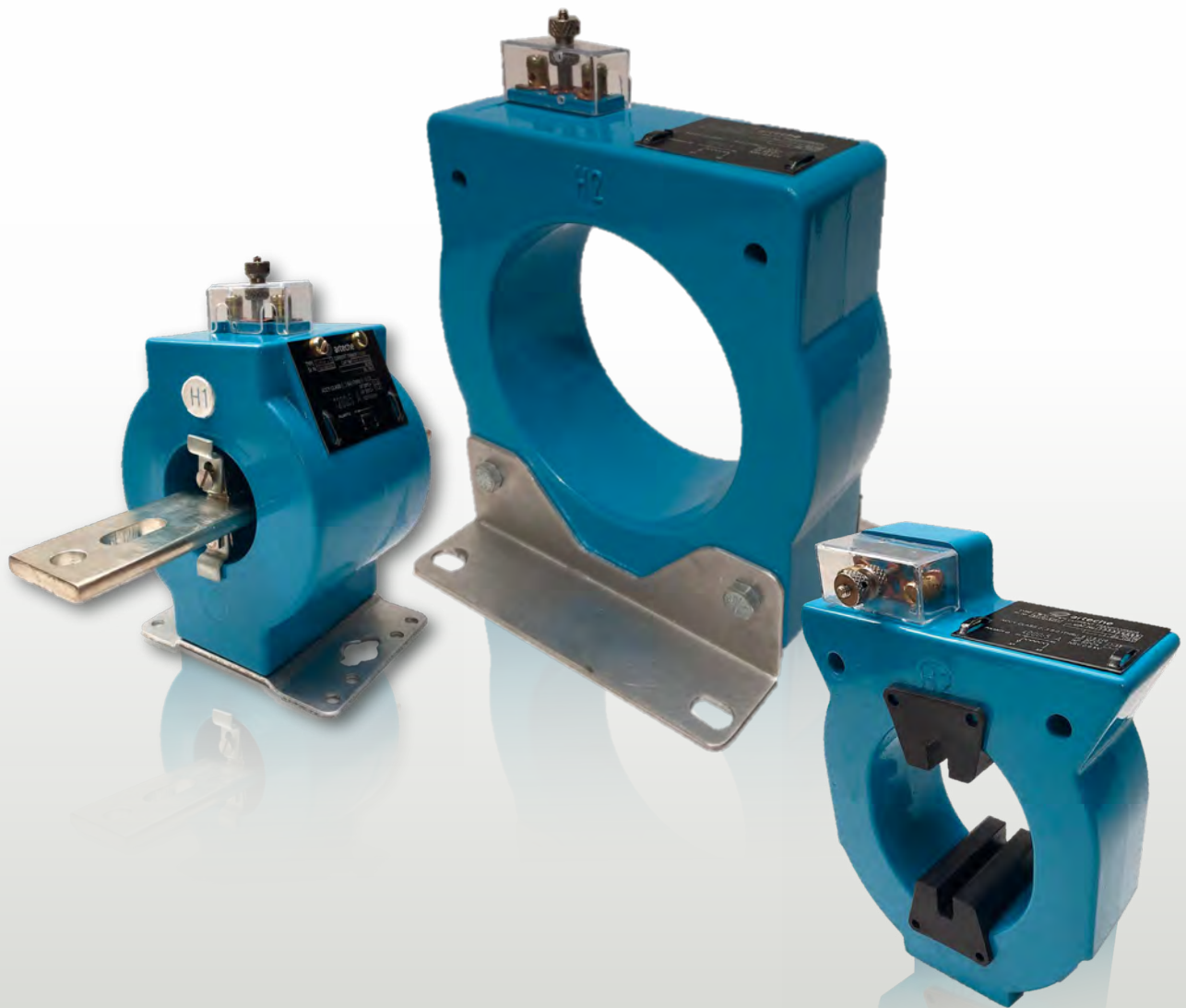


arteche



LOW VOLTAGE  
CURRENT TRANSFORMERS

# IRH SERIES

ARTECHE IRH series are dry type indoor service current transformers. The core is encapsulated with Type B epoxy resin which provides excellent internal dielectric properties and mechanical strength, ensuring a long mechanical and electrical life. The transformer is maintenance free.

The core is built with high permeability grain oriented silicon steel laminations for low losses. The windings are copper wire with copper plate double isolation. The concentric distribution of the coils prevents magnetic flux leakage, achieving greater accuracy and higher capacity to withstand mechanical stresses in adverse operating conditions.

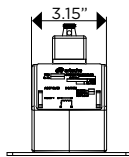
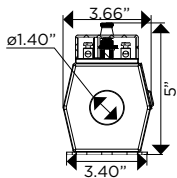
### Characteristics:

- › Indoor or Outdoor service
- › Metering and/or relaying application
- › 60 Hertz
- › 600 Vac, 10 kV BIL
- › Transparent and sealable secondary terminal cover
- › Rotating secondary shorting device
- › UL Recognized Component

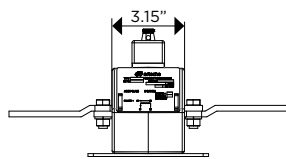
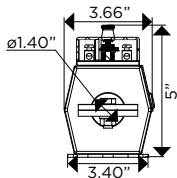


## IRH-1

Window Type:



Primary Bar Type:

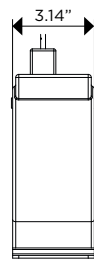
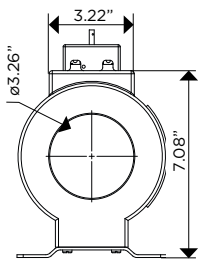


### Electrical characteristics

Code (Window type)	Code (Bar type)	Window Size	Current Ratio (Primary: Secondary) (A)	Continuous Thermal Current Rating Factor @		IEEE Metering Accuracy
				30°C	55°C	
735221040		1.5	200:5	3.0	2.0	0.3 B0.2
735221060		1.5	300:5	2.0	1.5	0.3 B0.2
735221080		2.0	400:5	2.0	1.5	0.3 B0.2
735221120		2.0	600:5	1.5	1.2	0.3 B0.2
	735225020	-	100:5	4.0	3.0	0.3 B0.2
	735225040	-	200:5	2.0	1.5	0.3 B0.5
	735225060	-	300:5	2.0	1.5	0.3 B0.5
	735225080	-	400:5	2.0	1.5	0.3 B0.5
	735225100	-	500:5	2.0	1.5	0.3 B0.5
	735225120	-	600:5	2.0	1.5	0.3 B0.5
	735225160	-	800:5	1.5	1.2	0.3 B0.5

Additional ratings available upon request.

## IRH-3



### Electrical characteristics

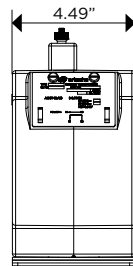
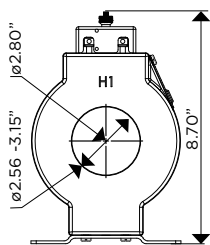
Code	Current Ratio (Primary: Secondary) (A)	Continuous Thermal Current Rating Factor @ 30°C	IEEE Metering Accuracy	Relay Accuracy
735261060	300:5	1.2	0.6B0.1/1.2B0.2	-
735261080	400:5	1.2	0.6B0.2/1.2B0.5	-
735261100	500:5	1.2	0.6B0.5	-
735261120	600:5	1.2	0.3B0.1/0.6B1.0	-
735261160	800:5	1.2	0.3B0.2/0.6B1.0	C-10
735261200	1000:5	1.2	0.3B0.5/0.6B2.0	C-10
735261240	1200:5	1.2	0.3B0.5/0.6B2.0	C-10

Additional ratings available upon request.

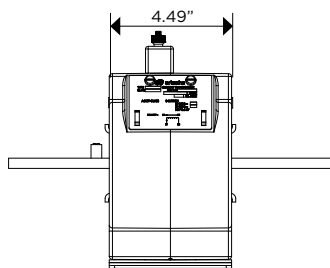
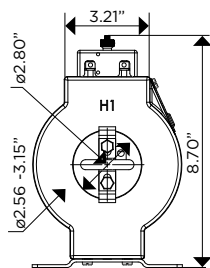
# IRH SERIES

## IRH-5

Window Type:



Primary Bar Type:



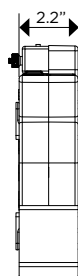
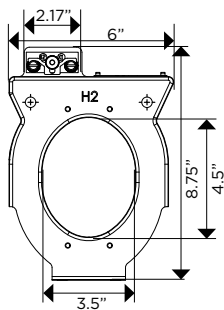
### Electrical characteristics

Code (Window type)	Code (Bar type)	Window Size	Current Ratio (Primary: Secondary) (A)	Continuous Thermal Current Rating Factor @		IEEE Metering Accuracy	Relay Accuracy
				30°C	55°C		
735301010	735305010	2.56"	50:5	4.0	3.0	1.2 B0.1	-
735301020	735305020	2.56"	100:5	4.0	3.0	0.3 B0.1	C-10
735301040	735305040	2.56"	200:5	4.0	3.0	0.3 B0.5	C-30
735301060	735305060	3.15"	300:5	4.0	3.0	0.3 B0.5	C-30
735301080	735305080	3.15"	400:5	4.0	3.0	0.3 B0.5	C-30
735301100	735305100	3.15"	500:5	3.0	2.2	0.3 B0.5	C-30
735301120	735305120	3.15"	600:5	2.0	1.5	0.3 B0.5	C-30
735301160	735305160	3.15"	800:5	2.0	1.5	0.3 B0.5	C-20
735301200	735305200	3.15"	1000:5	2.0	1.5	0.3 B0.5	C-30
735301240	735305240	3.15"	1200:5	1.5	1.2	0.3 B1.8	C-30
735302040	735306040	2.56"	200/400:5	4.0/2.0	3.0/1.5	0.3 B0.2 / 0.3 B0.5	C-30/C-50
735302060	735306060	3.15"	300/600:5	3.0/2.0	2.2/1.5	0.3 B0.2 / 0.3 B0.5	C-20/C-40
735302080	735306080	3.15"	400/800:5	2.0/2.0	1.5/1.5	0.3 B0.2 / 0.3 B0.5	C-10/C-30
735307120	735308120	3.15"	600:5	2.0	1.5	0.15S B0.2	-

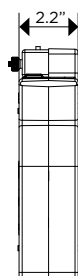
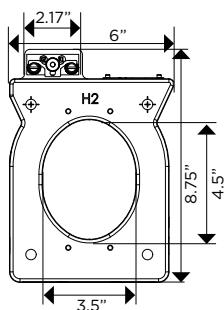
Additional ratings available upon request.

## IRH-7

Tapered Type:



Wide Type:



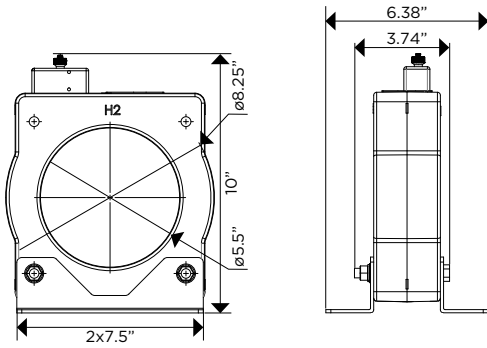
### Electrical characteristics

Code (Tapered type)	Code (Wide type)	Current Ratio (Primary: Secondary) (A)	Continuous Thermal Current Rating Factor @		IEEE Metering Accuracy	Relay Accuracy
			30°C	55°C		
735323020	735324020	100:5	4.0	3.0	1.2 B0.1	-
735323040	735324040	200:5	4.0	3.0	0.3 B0.1	C-10
735323060	735324060	300:5	4.0	3.0	0.3 B0.2	C-20
735323080	735324080	400:5	4.0	3.0	0.3 B0.2	C-20
735323100	735324100	500:5	3.0	2.2	0.3 B0.5	C-20
735323120	735324120	600:5	3.0	2.2	0.3 B0.5	C-20
735323160	735324160	800:5	3.0	2.2	0.3 B0.5	C-20
735323200	735324200	1000:5	2.0	1.5	0.3 B0.5	C-30
735323240	735324240	1200:5	2.0	1.5	0.3 B0.9	C-30
735323300	735324300	1500:5	2.0	1.5	0.3 B0.9	C-50
735323400	735324400	2000:5	1.5	1.2	0.3 B1.8	C-20
735323600	735324600	3000:5	1.33	1.0	0.3 B1.8	C-20
735323800	735324800	4000:5	1.0	0.75	0.3 B1.8	C-10
735327400	735328400	2000:5	2.0	1.2	0.15S B0.5	-

Additional ratings available upon request.

# IRH SERIES

## IRH-10

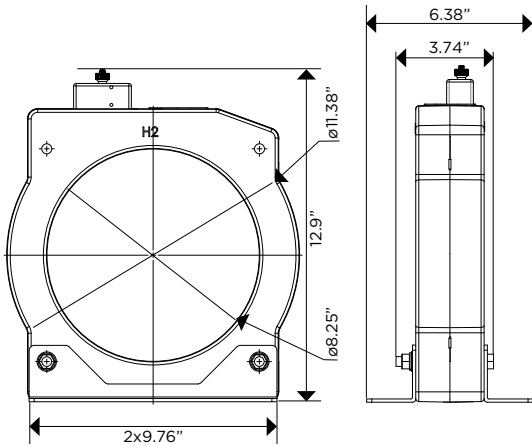


### Electrical characteristics

Code (Window type)	Current Ratio (Primary: Secondary) (A)	Continuous Thermal Current Rating Factor @		IEEE Metering Accuracy	Relay Accuracy
		30°C	55°C		
735341080	400:5	3.0	2.2	0.3 B0.2	C-20
735341100	500:5	4.0	3.0	0.3 B0.5	-
735341120	600:5	3.0	2.2	0.3 B0.5	C-30
735341160	800:5	2.0	1.5	0.3 B0.5	C-30
735341200	1000:5	2.0	1.5	0.3 B0.5	C-30
735341240	1200:5	2.0	1.5	0.3 B0.9	C-30
735341300	1500:5	3.0	2.2	0.3 B0.9	C-30
735341400	2000:5	2.0	1.5	0.3 B1.8	C-50
735341600	3000:5	1.5	1.2	0.3 B1.8	C-10
735341800	4000:5	1.33	1.0	0.3 B1.8	-
735342120	600/1200:5	3.0/2.0	2.2/1.5	0.3 B0.2/B0.9	C-10/C-30
735342160	800/1600:5	3.0/2.0	2.2/1.5	0.3 B0.2/B1.8	C-30/C-50
735342200	1000/2000:5	3.0/2.0	2.2/1.5	0.3 B0.5/B1.8	C-30/C-50
735342300	1500/3000:5	2.0/1.5	1.5/1.2	0.3 B0.9/B1.8	--/C-10
735342400	2000/4000:5	2.0/1.33	1.5/1.0	0.3 B1.8/B1.8	--
735347400	2000:5	2.5	2.0	0.15S B0.9	-

Additional ratings available upon request.

## IRH-12



### Electrical characteristics

Code (Window type)	Current Ratio (Primary: Secondary) (A)	Continuous Thermal Current Rating Factor @		IEEE Metering Accuracy	Relay Accuracy
		30°C	55°C		
735361400	2000:5	2.0	1.5	0.3 B0.9	C-50
735361600	3000:5	2.0	1.5	0.3 B1.8	C-100
735361800	4000:5	1.5	1.2	0.3 B1.8	C-100
735361100	5000:5	1.33	1.0	0.3 B1.8	C-100
735361120	6000:5	1.0	0.75	0.3 B1.8	-
735362200	1000/2000:5	3.0/2.0	2.2/1.5	0.3 B0.5/B1.8	C-30/C-50
735362300	1500/3000:5	3.0/2.0	2.2/1.5	0.3 B0.5/B1.8	C-50/C-100
735362400	2000/4000:5	2.0/1.5	1.5/1.2	0.3 B0.9/B1.8	C-50/C-100
735369991	2500/5000:5	2.0/1.33	1.5/1.0	0.3 B1.8/B1.8	C-50/C-100
735369992	3000/6000:5	1.33/1.0	1.0/0.75	0.3 B1.8/B1.8	-

Additional ratings available upon request.



# ICP SERIES

ARTECHE ICP series are dry type indoor service current transformers. The core is encapsulated with an impact-resistant polycarbonate which provides excellent internal dielectric properties and mechanical strength, ensuring a long mechanical and electrical life. The transformer is maintenance free.

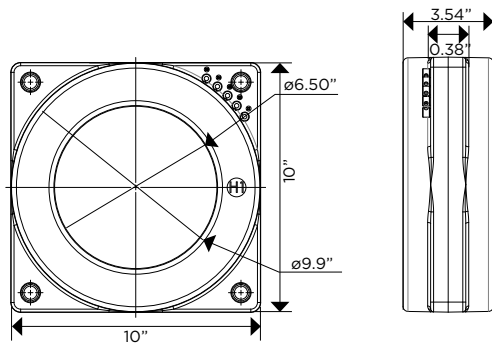
The core is built with high permeability grain oriented silicon steel laminations for low losses. The windings are copper wire with copper plate double isolation. The concentric distribution of the coils prevents magnetic flux leakage, achieving greater accuracy and higher capacity to withstand mechanical stresses in adverse operating conditions.

### Characteristics:

- › Indoor service
- › Metering and/or relaying application
- › 60 Hertz
- › 600 Vac, 10 kV BIL
- › Transparent and sealable secondary terminal cover
- › Rotating secondary shorting device
- › UL Recognized Component



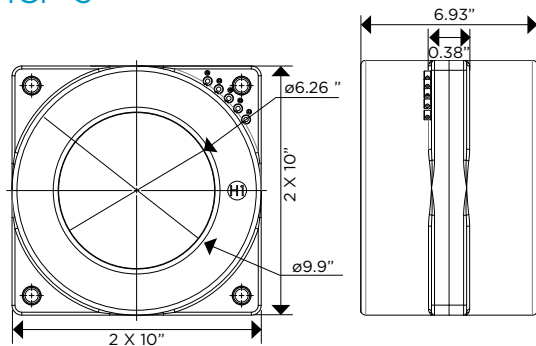
## ICP-3



Electrical characteristics					
Code (Indoor use)	Current Ratio (Primary: Secondary) (A)	Continuous Thermal Current Rating Factor @		IEEE Metering Accuracy	Relay Accuracy
		30°C	55°C		
735131120	600:5	2.0	1.5	0.3B0.5/0.6B1.8	C50
735131200	1000:5	2.0	1.5	0.3B1.8	C100
735131240	1200:5	2.0	1.5	0.3B1.8	C100
735131300	1500:5	2.0	1.5	0.3B1.8	C200
735131400	2000:5	2.0	1.5	0.3B1.8	C200
735131800	4000:5	2.0	1.5	0.3B1.8	C200
735132120	600:5 MR	2.0	1.5	0.3B0.5/0.6B1.8	C100
735132240	1200:5 MR	2.0	1.5	0.3B1.8	C200
735132400	2000:5 MR	2.0	1.5	0.3B1.8	C200
735132800	4000:5 MR	2.0	1.5	0.3B1.8	C200

Additional ratings available upon request.

## ICP-5



Electrical characteristics					
Code (Indoor use)	Current Ratio (Primary: Secondary) (A)	Continuous Thermal Current Rating Factor @		IEEE Metering Accuracy	Relay Accuracy
		30°C	55°C		
735151120	600:5	2.0	1.5	0.3B0.9/0.6B1.8	C200
735151200	1000:5	2.0	1.5	0.3B1.8	C200
735151240	1200:5	2.0	1.5	0.3B1.8	C200
735151300	1500:5	2.0	1.5	0.3B1.8	C400
735151400	2000:5	2.0	1.5	0.3B1.8	C400
735151800	4000:5	1.33	1.0	0.3B1.8	C400
735159992	6000:5	1.0	0.75	0.3B1.8	C400
735152120	600:5 MR	2	1.5	0.3B0.9/0.6B1.8	C200
735152240	1200:5 MR	2	1.5	0.3B1.8	C400
735152400	2000:5 MR	2	1.5	0.3B1.8	C400
735152800	4000:5 MR	1.33	1.0	0.3B1.8	C400
735159994	6000:5 MR	1	0.75	0.3B1.8	C400

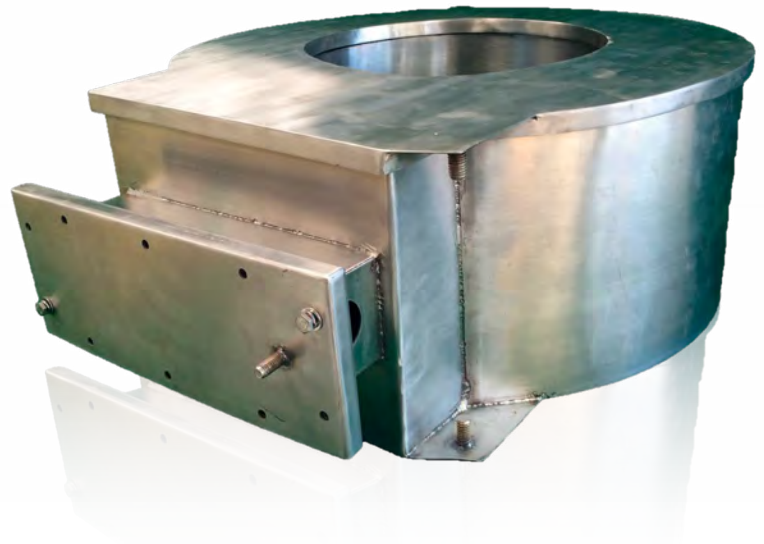
Additional ratings available upon request.

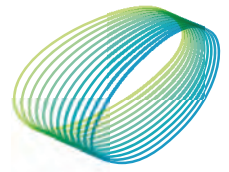
# OVER BUSHING CURRENT TRANSFORMER

The ARTECHE Over Bushing CT series are 600 V rated units designed to fit over a variety of specified bushing sizes. The core of the CT is constructed from high permeability grain oriented silicon steel laminations which provide low core losses. The windings are constructed with copper wire and copper plate double isolation. Concentric distribution of the CT coils prevents magnetic flux leakage, achieving greater accuracy and higher capacity to withstand mechanical stresses under adverse operating conditions

## Characteristics:

- › Externally mounted around the bushings of power transformers, circuit breakers, underground potheads or in switchgear.
- › Custom made design to meet existing or new applications.
- › Window sizes from 2.5 to 45 inches.
- › A metal housing covers the whole Current Transformer.
- › Primary current ratios are available from 200:5 thru 5000:5 at 60 Hz with a Rating Factor of up to 4.0.
- › 0.15 or 0.3 metering accuracy with burdens from B0.1 to B1.8 and up to class C800 for relaying
- › Individually tested as per the IEEE C57.13 standard, including dielectric tests, accuracy and polarity.





**arteche**  
Moving together

Official Partner



**Power Source Instruments Inc.**

395 Westney Road South, Ajax ON CANADA L1S 6M6

[sales@powersourceinstruments.com](mailto:sales@powersourceinstruments.com)

[powersourceinstruments.com](http://powersourceinstruments.com)